

## Ball joint puller

11703

Product no. **71070003**  
GTIN **4018754346660**  
Model **11703 Kugelgelenkabzieher**

**Label.** Ball joint puller

**Features.**

- zinc plated
- on heavy goods vehicles, buses and construction site vehicles

## Advantages.

Suitable for heavy lorries, busses and construction vehicles.

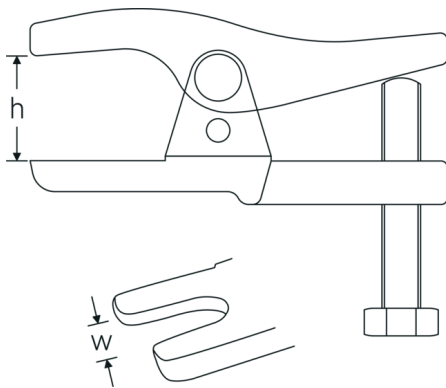
## Product highlights.



### For improved safety.

Designed with practical applications in mind, drop forged, precision machined on the latest machine tools, hardened and tempered: the STAHLWILLE puller range offers numerous products for a wide variety of applications. For example, standard pullers, cell terminal pullers, ejectors, counter stays, ball joint pullers and wheel hub pullers. Made, of course, in Germany as premium quality tools.

## Technical Drawing.



## Technical Attributes.

Fork opening (w)	35-45 mm
Clear height (h) mm	115 mm
max. load	20 t
max. torque	200 N·m

## Logistics data.

Depth mm (IFS)	235
Width mm (IFS)	140
Height mm (IFS)	105
Length (packed, mm)	325
Width (packed, mm)	140
Height (packed, mm)	105
Volume (packed, dm <sup>3</sup> )	4.7775 dm <sup>3</sup>
Art. no.	71070003
Weight (gross, kg)	2,940
Weight PAP (kg)	0,224
Weight PVC (kg)	0,000
GTIN	4018754346660
Country of origin	GERMANY
Region of origin	Nordrhein-Westfalen
WEEE/ElektroG	nicht ear-pflichtig
Customs tariff no.	82055980
Packing standard	1
Weight	2900 g

## Variants.

Art. no.	Art. no. (ERP)	Description	GTIN
71070003	11703 Kugelgelenkabzieher	Ball joint puller	4018754346660

## GTIN-Code.



**STAHLWILLE Eduard Wille GmbH & Co. KG**

Lindenallee 27 · 42349 Wuppertal · Germany · Phone: +49 202 4791-0 · Fax: +49 202 4791-200  
info@stahlwille.de · www.stahlwille.com · Copyright by STAHLWILLE Eduard Wille GmbH & Co. KG, Wuppertal  
Copyright by STAHLWILLE Eduard Wille GmbH & Co. KG, Wuppertal