



## Adapter

447a



Product no. 02470034  
GTIN 4018754136421  
Model 447A 9/16



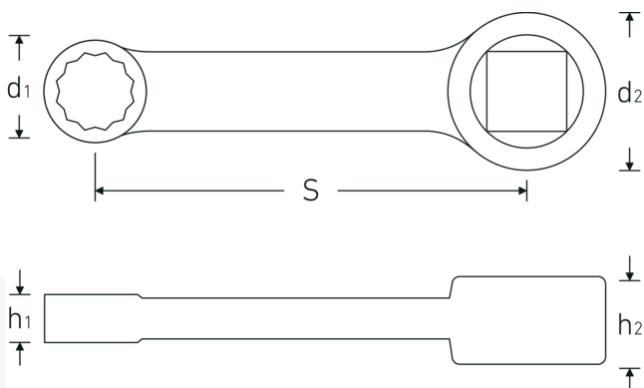
**Label.** Adapter 9/16" Internal square 3/8"

- Features.**
- SAE AS 954-E
  - HPQ® heavy-duty steel, gun metal finish
  - Please note: Changed setting values on the torque wrench

## Advantages.

SAE AS 954-E.

## Technical Drawing.



## Technical Attributes.

Internal square [inch] 3/8 "

## Logistics data.

Depth mm (IFS) 70

<b>d1</b>	21 mm	<b>Width mm (IFS)</b>	20
<b>d2</b>	19 mm	<b>Height mm (IFS)</b>	10
<b>Height mm (h1)</b>	9,2 mm	<b>Length (packed, mm)</b>	70
<b>Height mm (h2)</b>	11 mm	<b>Width (packed, mm)</b>	20
<b>S</b>	50,8 mm	<b>Height (packed, mm)</b>	10
<b>Spanner size [inch]</b>	9/16 "	<b>Volume (packed, dm3)</b>	0.014 dm3
		<b>Art. no.</b>	02470034
		<b>Weight (gross, kg)</b>	0,061
		<b>Weight PAP (kg)</b>	0,000
		<b>Weight PVC (kg)</b>	0,002
		<b>GTIN</b>	4018754136421
		<b>Country of origin</b>	GERMANY
		<b>Region of origin</b>	Nordrhein-Westfalen
		<b>WEEE/ElektroG</b>	nicht ear-pflichtig
		<b>Customs tariff no.</b>	82042000
		<b>Packing standard</b>	1
		<b>Weight</b>	61 g

## Variants.

Art. no.	Model no. (ERP)	Description	GTIN
02470016	447A 1/4	Adapter 1/4" Internal square 3/8"	4018754136377
02470020	447A 5/16	Adapter 5/16" Internal square 3/8"	4018754136384
02470024	447A 3/8	Adapter 3/8" Internal square 3/8"	4018754136391
02470028	447A 7/16	Adapter 7/16" Internal square 3/8"	4018754136407
02470032	447A 1/2	Adapter 1/2" Internal square 3/8"	4018754136414
02470034	447A 9/16	Adapter 9/16" Internal square 3/8"	4018754136421
02470036	447A 5/8	Adapter 5/8" Internal square 3/8"	4018754136438

## GTIN-Code.





**STAHLWILLE Eduard Wille GmbH & Co. KG**

Lindenallee 27 · 42349 Wuppertal · Germany · Phone: +49 202 4791-0 · Fax: +49 202 4791-200  
info@stahlwille.de · www.stahlwille.com · Copyright by STAHLWILLE Eduard Wille GmbH & Co. KG, Wuppertal  
Copyright by STAHLWILLE Eduard Wille GmbH & Co. KG, Wuppertal