

Ball joint puller

11704

Product no. **71070004**
GTIN **4018754346677**
Model **11704 Kugelgelenkabzieher**

Label. Ball joint puller

Features.

- zinc plated
- on medium-sized and heavy HGV's, buses and construction site and other special vehicles

Advantages.

Suitable for medium and heavy lorries, busses, construction and special vehicles.

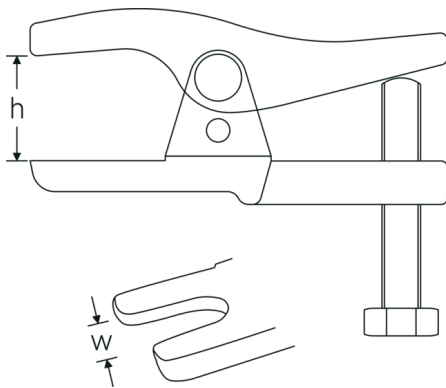
Product highlights.



For improved safety.

Designed with practical applications in mind, drop forged, precision machined on the latest machine tools, hardened and tempered: the STAHLWILLE puller range offers numerous products for a wide variety of applications. For example, standard pullers, cell terminal pullers, ejectors, counter stays, ball joint pullers and wheel hub pullers. Made, of course, in Germany as premium quality tools.

Technical Drawing.



Technical Attributes.

Fork opening (w)	27-36 mm
Clear height (h) mm	90 mm
max. load	10 t
max. torque	100 N·m

Logistics data.

Depth mm (IFS)	235
Width mm (IFS)	143
Height mm (IFS)	110
Length (packed, mm)	235
Width (packed, mm)	143
Height (packed, mm)	110
Volume (packed, dm ³)	3.69655 dm ³
Art. no.	71070004
Weight (gross, kg)	6,500
Weight PAP (kg)	0,126
Weight PVC (kg)	0,000
GTIN	4018754346677
Country of origin	GERMANY
Region of origin	Nordrhein-Westfalen
WEEE/ElektroG	nicht ear-pflichtig
Customs tariff no.	82055980
Packing standard	1
Weight	2790 g

Variants.

Art. no.	Art. no. (ERP)	Description	GTIN
71070004	11704 Kugelgelenkabzieher	Ball joint puller	4018754346677

GTIN-Code.



STAHLWILLE Eduard Wille GmbH & Co. KG

Lindenallee 27 · 42349 Wuppertal · Germany · Phone: +49 202 4791-0 · Fax: +49 202 4791-200
info@stahlwille.de · www.stahlwille.com · Copyright by STAHLWILLE Eduard Wille GmbH & Co. KG, Wuppertal
Copyright by STAHLWILLE Eduard Wille GmbH & Co. KG, Wuppertal