

## Adaptor metric

**447**



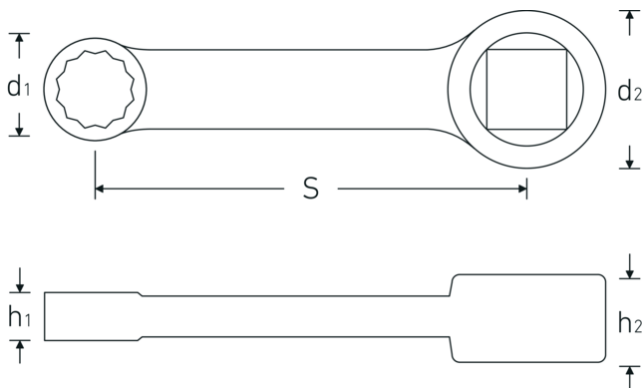
Product no. **02181008**  
GTIN **4018754139132**  
Model **447 8**



**Label.**

Adapters 8mm Internal square 3/8"

## Technical Drawing.



## Technical Attributes.

Internal square [inch]	3/8 "
d1	12,4 mm
d2	19 mm
Height mm (h1)	6 mm
Height mm (h2)	11 mm
S	50,8 mm
Width across flats [mm]	8 mm

## Logistics data.

Depth mm (IFS)	65
Width mm (IFS)	17
Height mm (IFS)	10
Length (packed, mm)	105
Width (packed, mm)	30
Height (packed, mm)	15
Volume (packed, dm <sup>3</sup> )	0.04725 dm <sup>3</sup>
Product no.	02181008
Weight (gross, kg)	0,035

<b>Weight PAP (kg)</b>	0,000
<b>Weight PVC (kg)</b>	0,002
<b>GTIN</b>	4018754139132
<b>Country of origin</b>	GERMANY
<b>Region of origin</b>	Nordrhein-Westfalen
<b>WEEE/ElektroG</b>	nicht ear-pflichtig
<b>Customs tariff no.</b>	82042000
<b>Packing standard</b>	1
<b>Weight</b>	30 g

## Variants.

Product no.	Model no. (ERP)	Description	GTIN
02181007	447 7	Adapters 7mm Internal square 3/8"	4018754139125
02181008	447 8	Adapters 8mm Internal square 3/8"	4018754139132
02181009	447 9	Adapters 9mm Internal square 3/8"	4018754140992
02181010	447 10	Adapters 10mm Internal square 3/8"	4018754141005
02181013	447 13	Adapters 13mm Internal square 3/8"	4018754141012

## GTIN-Code.

