



Adjustable open-ended wrench, metric

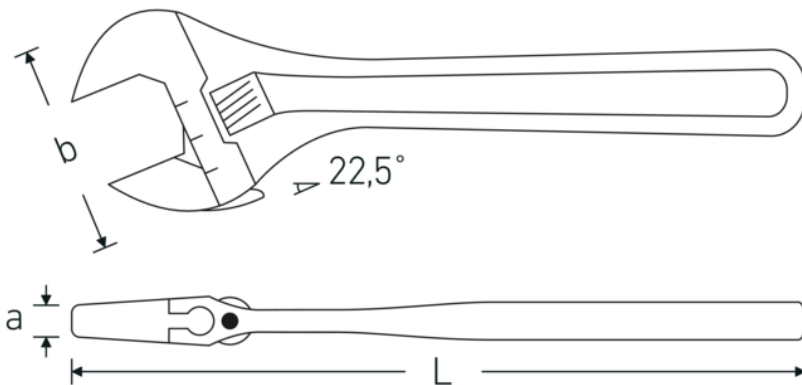
4025



Product no. **40250106**
GTIN **4018754299508**
Model **4025 6**

Label. Adjustable open-ended wrench max. wrench size 24mm L.161mm

Technical Drawing.



Technical Attributes.

a	10,8 mm
Width mm (b)	50 mm
DIN	DIN 3117 / ISO 6787 Form B
Size	6
Length mm (L)	161 mm
Schlüsselweite max. [mm]	24 mm

Logistics data.

Depth mm (IFS)	160
Width mm (IFS)	48
Height mm (IFS)	11
Length (packed, mm)	163
Width (packed, mm)	63
Height (packed, mm)	41
Volume (packed, dm³)	0.421029 dm ³
Product no.	40250106
Weight (gross, kg)	0,650

Weight PAP (kg)	0,000
Weight PVC (kg)	0,009
GTIN	4018754299508
Country of origin	SPAIN
Region of origin	Ausländischer Ursprung
WEEE/ElektroG	nicht ear-pflichtig
Customs tariff no.	82041200
Packing standard	5
Weight	155 g

Variants.

Product no.	Art. no. (ERP)	Description	GTIN
40250104	4025 4	Adjustable open-ended wrench max. wrench size 13mm L.115mm	4018754299492
40250106	4025 6	Adjustable open-ended wrench max. wrench size 24mm L.161mm	4018754299508
40250108	4025 8	Adjustable open-ended wrench max. wrench size 30mm L.207mm	4018754299515
40250110	4025 10	Adjustable open-ended wrench max. wrench size 34mm L.259mm	4018754299522
40250112	4025 12	Adjustable open-ended wrench max. wrench size 39mm L.311mm	4018754299539
40250115	4025 15	Adjustable open-ended wrench max. wrench size 44mm L.386mm	4018754299546
40250118	4025 18	Adjustable open-ended wrench max. wrench size 53mm L.462mm	4018754299553

GTIN-Code.

