



Adaptor metric

447



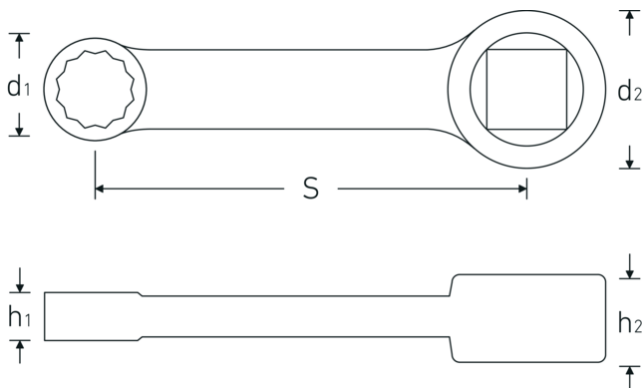
Product no. **02181007**
GTIN **4018754139125**
Model **447 7**



Label.

Adaptors 7mm Internal square 3/8"

Technical Drawing.



Technical Attributes.

Internal square [inch]	3/8 "
d1	11,5 mm
d2	19 mm
Height mm (h1)	6 mm
Height mm (h2)	11 mm
S	50,8 mm
Width across flats [mm]	7 mm

Logistics data.

Depth mm (IFS)	65
Width mm (IFS)	18
Height mm (IFS)	10
Length (packed, mm)	110
Width (packed, mm)	30
Height (packed, mm)	15
Volume (packed, dm3)	0.0495 dm3
Product no.	02181007
Weight (gross, kg)	0,035

Weight PAP (kg)	0,000
Weight PVC (kg)	0,002
GTIN	4018754139125
Country of origin	GERMANY
Region of origin	Nordrhein-Westfalen
WEEE/ElektroG	nicht ear-pflichtig
Customs tariff no.	82042000
Packing standard	1
Weight	30 g

Variants.

Product no.	Model no. (ERP)	Description	GTIN
02181007	447 7	Adapters 7mm Internal square 3/8"	4018754139125
02181008	447 8	Adapters 8mm Internal square 3/8"	4018754139132
02181009	447 9	Adapters 9mm Internal square 3/8"	4018754140992
02181010	447 10	Adapters 10mm Internal square 3/8"	4018754141005
02181013	447 13	Adapters 13mm Internal square 3/8"	4018754141012

GTIN-Code.

