



## UNIFLEX sockets

### 402a

Product no. **01540020**  
GTIN **4018754001606**  
Model **402 A 5/16**



**Label.** 1/4 " UNIFLEX sockets Spanner size 5/16" L.35mm

**Features.**

- SAE AS 954-E, ASME B 107.1
- HPQ® heavy-duty steel, chrome-plated

## Advantages.

SAE AS 954-E, ASME B 107.1.

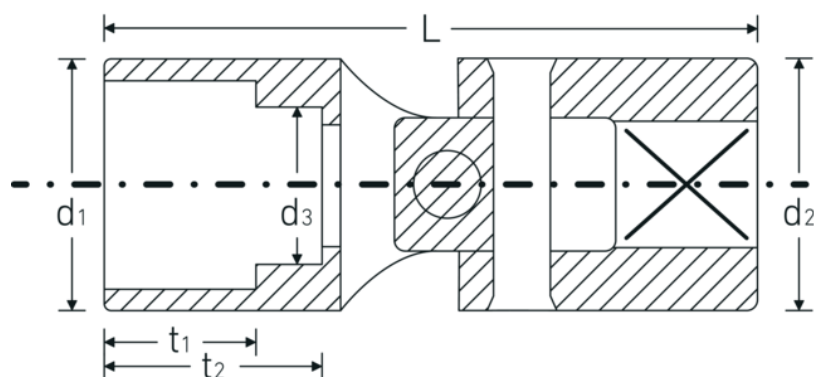
## Technologies and features.



### High Performance Quality (HPQ®)

Our HPQ® tool is made of wear-resistant high-performance steel, yet is thin-walled and lightweight. It withstands high torques and is ideal for work in confined spaces such as turbines.

## Technical Drawing.



## Technical Attributes.

|                              |                  |
|------------------------------|------------------|
| Drive profile                | bi-hex AS-Drive® |
| Internal square drive (inch) | 1/4 "            |
| d1                           | 11,6 mm          |
| d2                           | 12,7 mm          |
| d3                           | 6,7 mm           |
| Length mm (L)                | 35 mm            |
| Spanner size [inch]          | 5/16 "           |
| t1                           | 8 mm             |
| t2                           | 13 mm            |

## Logistics data.

|                      |                     |
|----------------------|---------------------|
| Depth mm (IFS)       | 34                  |
| Width mm (IFS)       | 13                  |
| Height mm (IFS)      | 13                  |
| Length (packed, mm)  | 55                  |
| Width (packed, mm)   | 50                  |
| Height (packed, mm)  | 13                  |
| Volume (packed, dm3) | 0.03575 dm3         |
| Art. no.             | 01540020            |
| Weight (gross, kg)   | 0,095               |
| Weight PAP (kg)      | 0,000               |
| Weight PVC (kg)      | 0,002               |
| GTIN                 | 4018754001606       |
| Country of origin    | GERMANY             |
| Region of origin     | Nordrhein-Westfalen |
| WEEE/ElektroG        | nicht ear-pflichtig |
| Customs tariff no.   | 82042000            |
| Packing standard     | 5                   |
| Weight               | 17 g                |

## Variants.

| Art. no. | Model no. (ERP) | Description                                     | GTIN          |
|----------|-----------------|-------------------------------------------------|---------------|
| 01540014 | 402 A 7/32      | 1/4 " UNIFLEX sockets Spanner size 7/32" L.32mm | 4018754173570 |
| 01540016 | 402 A 1/4       | 1/4 " UNIFLEX sockets Spanner size 1/4" L.32mm  | 4018754001590 |

|          |             |                                                      |               |
|----------|-------------|------------------------------------------------------|---------------|
| 01540018 | 402 A 9/32  | 1/4 " UNIFLEX sockets Spanner size<br>9/32" L.32mm   | 4018754173587 |
| 01540020 | 402 A 5/16  | 1/4 " UNIFLEX sockets Spanner size<br>5/16" L.35mm   | 4018754001606 |
| 01540022 | 402 A 11/32 | 1/4 " UNIFLEX sockets Spanner size<br>11/32" L.35mm  | 4018754173594 |
| 01540024 | 402 A 3/8   | 1/4 " UNIFLEX sockets Spanner size<br>3/8" L.38mm    | 4018754001613 |
| 01540028 | 402 A 7/16  | 1/4 " UNIFLEX sockets Spanner size<br>7/16" L.39,5mm | 4018754001620 |
| 01540032 | 402 A 1/2   | 1/4 " UNIFLEX sockets Spanner size<br>1/2" L.41,5mm  | 4018754001637 |

## GTIN-Code.



### STAHLWILLE Eduard Wille GmbH & Co. KG

Lindenallee 27 · 42349 Wuppertal · Germany · Phone: +49 202 4791-0 · Fax: +49 202 4791-200  
info@stahlwille.de · www.stahlwille.com · Copyright by STAHLWILLE Eduard Wille GmbH & Co. KG, Wuppertal  
Copyright by STAHLWILLE Eduard Wille GmbH & Co. KG, Wuppertal