



Tool trolley 95 PRO

98/7 PRO

Product no. **81200169**
GTIN **4018754334490**
Model **98/7 A PRO**

Label.

Tool trolley 98/7 PRO 7 Drawers 651 x 1001 x 1020 mm anthracite, RAL 7016; black, RAL 9007

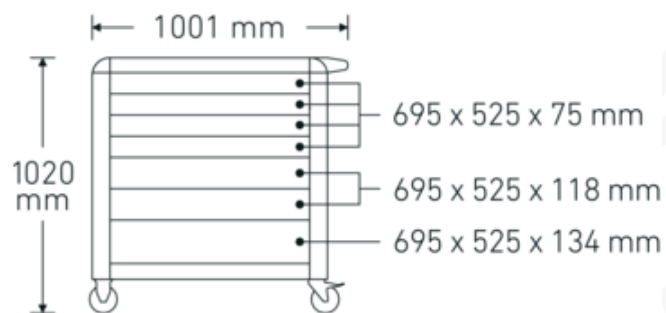
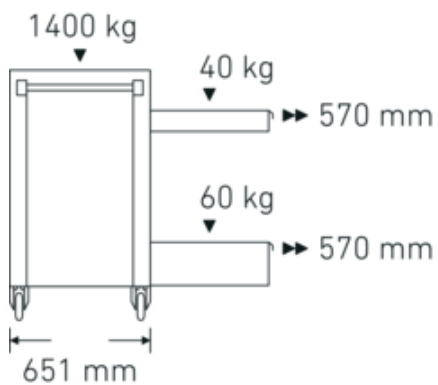


Product highlights.





Technical Drawing.



Technical Attributes.

Number of drawers	7
Width mm (b)	1001 mm
Colour	anthracite, RAL 7016; black, RAL 9007
Colour abbreviation	RAL 7016; RAL 9005
Height mm (h)	1020 mm

Logistics data.

Depth mm (IFS)	890
Width mm (IFS)	650
Height mm (IFS)	865
Length (packed, mm)	987
Width (packed, mm)	745
Height (packed, mm)	925

Length mm (L)	651 mm	Volume (packed, dm3)	680.166375 dm3
No.	98/7 A PRO	Product no.	81200169
Internal drawer dimensions mm	525 x 695 x 75 mm (4x) 525 x 695 x 118 mm (2x) 525 x 695 x 134 mm (1x)	Weight (gross, kg)	123,500
		Weight PAP (kg)	9,500
		Weight PVC (kg)	0,000
Drawer load capacity	40 kg 40 kg 60 kg	GTIN	4018754334490
Load capacity	1,400 kg	Country of origin	CHINA
		Region of origin	Ausländischer Ursprung
		WEEE/ElektroG	nicht ear-pflichtig
		Customs tariff no.	94032080
		Packing standard	1
		Weight	114000 g

Variants.

Product no.	Art. no. (ERP)	Description	GTIN
81200169	98/7 A PRO	Tool trolley 98/7 PRO 7 Drawers 651 x 1001 x 1020 mm anthracite, RAL 7016; black, RAL 9007	4018754334490
81200170	98/7 B PRO	Tool trolley 98/7 PRO 7 Drawers 651 x 1001 x 1020 mm blue, RAL 2703035	4018754334506
81200171	98/7 R PRO	Tool trolley 98/7 PRO 7 Drawers 651 x 1001 x 1020 mm red, RAL 3020; black RAL 9005	4018754334513

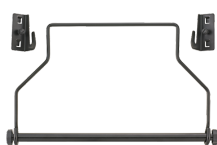
GTIN-Code.



Accessories.



90432727
Spray can holders



81483004
Paper roll holder



89010040
Cable holder



83812070
Empty tray for small components



81484001
Drawer dividers



81484002
Drawer dividers



89010003
Anti-slip mat GRIPMAT

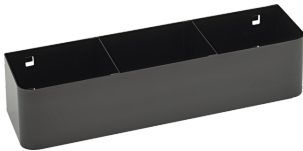


89011053
Trash bin



89010042
Laptop holder adapter

Spare parts/spare part for.



90432719
Spray can holders

Images.

