



UNIFLEX sockets

402aK

Product no. 01541024
GTIN 4018754150243
Model 402 A K 3/8



Label. 1/4 " UNIFLEX sockets Spanner size 3/8" L.34mm

Features.

- Extra short version
- HPQ® heavy-duty steel, chrome-plated

Advantages.

Extra short version.

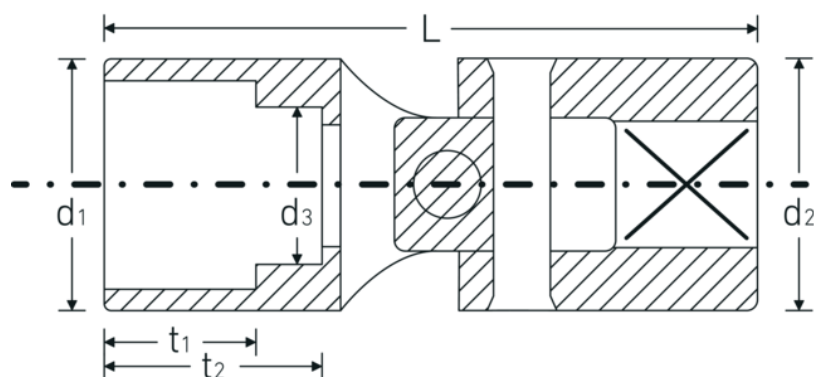
Technologies and features.



High Performance Quality (HPQ®)

Our HPQ® tool is made of wear-resistant high-performance steel, yet is thin-walled and lightweight. It withstands high torques and is ideal for work in confined spaces such as turbines.

Technical Drawing.



Technical Attributes.

Drive profile	bi-hex AS-Drive®
Internal square drive (inch)	1/4 "
d1	13,6 mm
d2	12,7 mm
d3	6,7 mm
Length mm (L)	34 mm
Spanner size [inch]	3/8 "
t1	9,1 mm
t2	12,0 mm

Logistics data.

Depth mm (IFS)	34
Width mm (IFS)	13
Height mm (IFS)	13
Length (packed, mm)	100
Width (packed, mm)	60
Height (packed, mm)	14
Volume (packed, dm3)	0.084 dm3
Art. no.	01541024
Weight (gross, kg)	0,098
Weight PAP (kg)	0,000
Weight PVC (kg)	0,002
GTIN	4018754150243
Country of origin	GERMANY
Region of origin	Nordrhein-Westfalen
WEEE/ElektroG	nicht ear-pflichtig
Customs tariff no.	82042000
Packing standard	5
Weight	19 g

Variants.

Art. no.	Model no. (ERP)	Description	GTIN
01541024	402 A K 3/8	1/4 " UNIFLEX sockets Spanner size 3/8" L.34mm	4018754150243
01541034	402 A K 9/16	1/4 " UNIFLEX sockets Spanner size 9/16" L.37,5mm	4018754146772

GTIN-Code.



STAHLWILLE Eduard Wille GmbH & Co. KG

Lindenallee 27 · 42349 Wuppertal · Germany · Phone: +49 202 4791-0 · Fax: +49 202 4791-200
info@stahlwille.de · www.stahlwille.com · Copyright by STAHLWILLE Eduard Wille GmbH & Co. KG, Wuppertal
Copyright by STAHLWILLE Eduard Wille GmbH & Co. KG, Wuppertal