



## Ball joint puller

11702

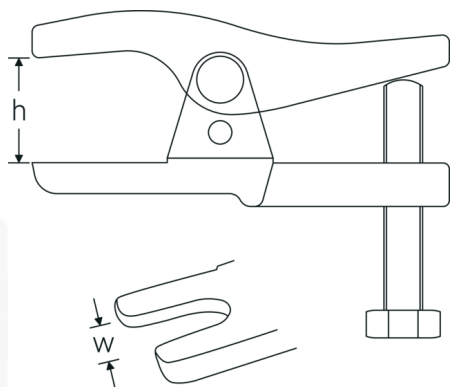
Product no. 71070002  
GTIN 4018754342389  
Model 11702 Kugelgelenkabzieher

Label. Ball joint puller

### Product highlights.



### Technical Drawing.



## Technical Attributes.

<b>A</b>	20 mm
<b>External hex drive (mm)</b>	24 mm
<b>Clear hight (h) mm</b>	50-80 mm

## Logistics data.

<b>Depth mm (IFS)</b>	155
<b>Width mm (IFS)</b>	135
<b>Height mm (IFS)</b>	50
<b>Length (packed, mm)</b>	190
<b>Width (packed, mm)</b>	145
<b>Height (packed, mm)</b>	90
<b>Volume (packed, dm3)</b>	2.4795 dm3
<b>Product no.</b>	71070002
<b>Weight (gross, kg)</b>	1,660
<b>Weight PAP (kg)</b>	0,010
<b>Weight PVC (kg)</b>	0,000
<b>GTIN</b>	4018754342389
<b>Country of origin</b>	GERMANY
<b>Region of origin</b>	Nordrhein-Westfalen
<b>WEEE/ElektroG</b>	nicht ear-pflichtig
<b>Customs tariff no.</b>	82055980
<b>Packing standard</b>	1
<b>Weight</b>	1740 g

## Variants.

Product no.	Art. no. (ERP)	Description	GTIN
71070002	11702 Kugelgelenkabzieher	Ball joint puller	4018754342389

## GTIN-Code.



## Images.

