



Adjustable open-ended wrench, metric

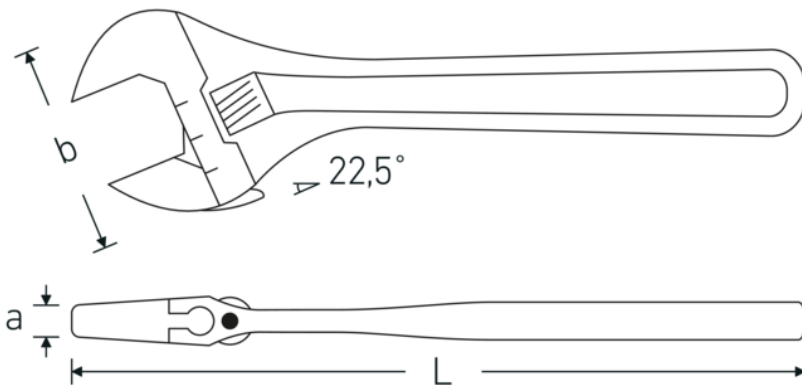
4025



Product no. **40250115**
GTIN **4018754299546**
Model **4025 15**

Label. Adjustable open-ended wrench max. wrench size 44mm L.386mm

Technical Drawing.



Technical Attributes.

a	25 mm
Width mm (b)	106 mm
DIN	DIN 3117 / ISO 6787 Form B
Size	15
Length mm (L)	386 mm
Schlüsselweite max. [mm]	44 mm

Logistics data.

Depth mm (IFS)	385
Width mm (IFS)	100
Height mm (IFS)	24
Length (packed, mm)	386
Width (packed, mm)	101
Height (packed, mm)	25
Volume (packed, dm3)	0.97465 dm3
Product no.	40250115
Weight (gross, kg)	1,287

Weight PAP (kg)	0,000
Weight PVC (kg)	0,018
GTIN	4018754299546
Country of origin	SPAIN
Region of origin	Ausländischer Ursprung
WEEE/ElektroG	nicht ear-pflichtig
Customs tariff no.	82041200
Packing standard	1
Weight	1320 g

Variants.

Product no.	Art. no. (ERP)	Description	GTIN
40250104	4025 4	Adjustable open-ended wrench max. wrench size 13mm L.115mm	4018754299492
40250106	4025 6	Adjustable open-ended wrench max. wrench size 24mm L.161mm	4018754299508
40250108	4025 8	Adjustable open-ended wrench max. wrench size 30mm L.207mm	4018754299515
40250110	4025 10	Adjustable open-ended wrench max. wrench size 34mm L.259mm	4018754299522
40250112	4025 12	Adjustable open-ended wrench max. wrench size 39mm L.311mm	4018754299539
40250115	4025 15	Adjustable open-ended wrench max. wrench size 44mm L.386mm	4018754299546
40250118	4025 18	Adjustable open-ended wrench max. wrench size 53mm L.462mm	4018754299553

GTIN-Code.

