



## Adaptor inch

447a



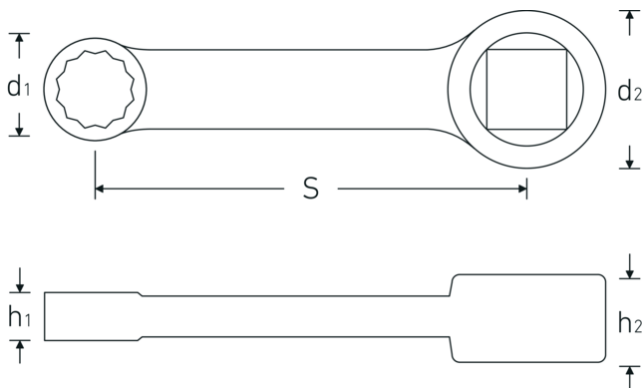
Product no. **02470028**  
GTIN **4018754136407**  
Model **447A 7/16**



### Label.

Adapters 7/16" Internal square 3/8"

## Technical Drawing.



## Technical Attributes.

Internal square [inch]	3/8 "
d1	17 mm
d2	19 mm
Height mm (h1)	8 mm
Height mm (h2)	11 mm
S	50,8 mm
Wrench size [inch]	7/16 "

## Logistics data.

Depth mm (IFS)	68
Width mm (IFS)	15
Height mm (IFS)	11
Length (packed, mm)	75
Width (packed, mm)	20
Height (packed, mm)	13
Volume (packed, dm <sup>3</sup> )	0.0195 dm <sup>3</sup>
Product no.	02470028
Weight (gross, kg)	0,044

<b>Weight PAP (kg)</b>	0,000
<b>Weight PVC (kg)</b>	0,002
<b>GTIN</b>	4018754136407
<b>Country of origin</b>	GERMANY
<b>Region of origin</b>	Nordrhein-Westfalen
<b>WEEE/ElektroG</b>	nicht ear-pflichtig
<b>Customs tariff no.</b>	82042000
<b>Packing standard</b>	1
<b>Weight</b>	40 g

## Variants.

Product no.	Model no. (ERP)	Description	GTIN
02470016	447A 1/4	Adapters 1/4" Internal square 3/8"	4018754136377
02470020	447A 5/16	Adapters 5/16" Internal square 3/8"	4018754136384
02470024	447A 3/8	Adapters 3/8" Internal square 3/8"	4018754136391
02470028	447A 7/16	Adapters 7/16" Internal square 3/8"	4018754136407
02470032	447A 1/2	Adapters 1/2" Internal square 3/8"	4018754136414
02470034	447A 9/16	Adapters 9/16" Internal square 3/8"	4018754136421
02470036	447A 5/8	Adapters 5/8" Internal square 3/8"	4018754136438

## GTIN-Code.

