

Ball joint puller

12616

Product no. **71050010**
GTIN **4018754173273**
Model **12616 Kugelgelenkabzieher**

Label. Ball joint puller Fork opening 18-22mm 70N·m

Features.

- zinc plated
- DIN/ISO 7803
- for extracting ball-joints on cars and light delivery vans

Advantages.

For removing the ball joints on cars and light commercial delivery vans

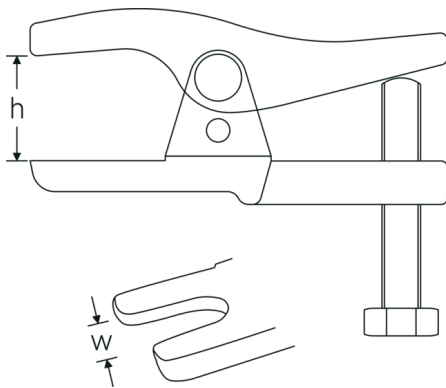
Product highlights.



For improved safety.

Designed with practical applications in mind, drop forged, precision machined on the latest machine tools, hardened and tempered: the STAHLWILLE puller range offers numerous products for a wide variety of applications. For example, standard pullers, cell terminal pullers, ejectors, counter stays, ball joint pullers and wheel hub pullers. Made, of course, in Germany as premium quality tools.

Technical Drawing.



Technical Attributes.

Fork opening (w)	18-22 mm
DIN	DIN / ISO 7803
Size	1
Clear height (h) mm	20-50 mm
max. load	3,5 t
max. torque	70 N·m
Spindle thread size	M14 x 1,5 x 63 mm

Logistics data.

Depth mm (IFS)	100
Width mm (IFS)	70
Height mm (IFS)	30
Length (packed, mm)	110
Width (packed, mm)	70
Height (packed, mm)	50
Volume (packed, dm ³)	0.385 dm ³
Art. no.	71050010
Weight (gross, kg)	0,634
Weight PAP (kg)	0,046
Weight PVC (kg)	0,000
GTIN	4018754173273
Country of origin	GERMANY
Region of origin	Nordrhein-Westfalen
WEEE/ElektroG	nicht ear-pflichtig
Customs tariff no.	82055980
Packing standard	1
Weight	611 g

Variants.

Art. no.	Art. no. (ERP)	Description	GTIN
71050010	12616 Kugelgelenkabzieher	Ball joint puller Fork opening 18-22mm 70N·m	4018754173273

GTIN-Code.



STAHLWILLE Eduard Wille GmbH & Co. KG

Lindenallee 27 · 42349 Wuppertal · Germany · Phone: +49 202 4791-0 · Fax: +49 202 4791-200
info@stahlwille.de · www.stahlwille.com · Copyright by STAHLWILLE Eduard Wille GmbH & Co. KG, Wuppertal
Copyright by STAHLWILLE Eduard Wille GmbH & Co. KG, Wuppertal