



## Flex sockets 1/4", inch, short

402aK



Product no. 01541034  
GTIN 4018754146772  
Model 402 A K 9/16



**Label.** 1/4 " Flex socket Wrench size 9/16" L.37,5mm

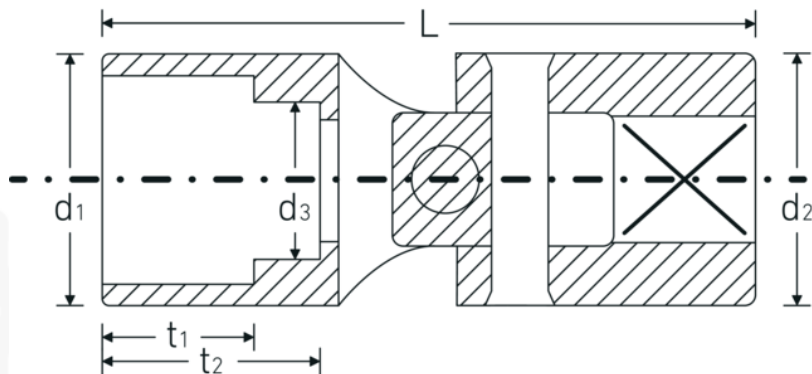
## Technologies and features.



### High Performance Quality (HPQ®)

Our HPQ® tool is made of wear-resistant high-performance steel, yet is thin-walled and lightweight. It withstands high torques and is ideal for work in confined spaces such as turbines.

## Technical Drawing.



## Technical Attributes.

Drive profile	bi-hex AS-Drive®
Internal square drive (inch)	1/4 "
d1	19 mm
d2	12,7 mm
d3	13,1 mm
Length mm (L)	37,5 mm
Wrench size [inch]	9/16 "
t1	10,3 mm
t2	11,8 mm

## Logistics data.

Depth mm (IFS)	37
Width mm (IFS)	18
Height mm (IFS)	18
Length (packed, mm)	100
Width (packed, mm)	50
Height (packed, mm)	50
Volume (packed, dm3)	0.25 dm3
Product no.	01541034
Weight (gross, kg)	0,127
Weight PAP (kg)	0,000
Weight PVC (kg)	0,002
GTIN	4018754146772
Country of origin	GERMANY
Region of origin	Nordrhein-Westfalen
WEEE/ElektroG	nicht ear-pflichtig
Customs tariff no.	82042000
Packing standard	5
Weight	25 g

## Variants.

Product no.	Model no. (ERP)	Description	GTIN
01541024	402 A K 3/8	1/4 " Flex socket Wrench size 3/8" L.34mm	4018754150243
01541034	402 A K 9/16	1/4 " Flex socket Wrench size 9/16" L.37,5mm	4018754146772

## GTIN-Code.

