



Tool trolley 95 PRO

98/7 PRO

Product no.	81200171
GTIN	4018754334513
Model	98/7 R PRO

Label.

Tool trolley 98/7 PRO 7 Drawers 651 x 1001 x 1020 mm red, RAL 3020; black RAL 9005

Features.

- **three-stage safety concept:**
 1. central locking with a cylinder lock and fold-down key
 2. individual locks prevent inadvertent opening in transit
 3. topple-proof – it is not possible to pull out more than one drawer at a time
- in comparison with the 93 and the TTS 95 PRO each drawer offers 100% more volume
- stainless steel handle with reinforced connection to body
- impact protection strips with wrap-around bumper
- wear and scratch-resistant worktop welded to be leak-proof and protective base strip made of stainless steel
- oil and acid resistant bearing-mounted wheels (Ø 125 mm) with carpet protection to prevent ingress of dirt and fibres into bearings, with two parking brakes
- holders for paper rolls and spray cans included
- 8 easily removable drawers (black RAL 9005) with full-extension runners and ball cage guides
- three standard colours, drawers RAL 9005 Jet Black
- perforations from both sides for Hooks No 8031-8041, e.g. for larger tools
- can be enhanced with STAHLWILLE Standard and TCS inserts

Advantages.

Maximum storage area thanks to width of 100 cm, 65 cm deep and drawer extension.

Optionally 7 or 8 easily removable drawers.

High static load-bearing capacity up to 1,400 kg.

High quality, durable materials such as tightly welded stainless steel top tray.

Oil and acid-resistant low rolling resistance wheels (125 mm) with thread guard and two parking brakes.



Product highlights.



Simply more space.

With a width of more than 100 cm, a depth of 65 cm and a drawer full extension, our biggest tool trolley provides maximum storage space and room for your tools. In comparison to the 93 and 95 PRO models, the TTS 98 PRO provides 100% more drawer volume with premium quality.



Takes on anything.

High-quality materials such as the tightly welded stainless steel tray provide the durability that is typical of STAHLWILLE, and prevent liquids from penetrating the interior of the trolley. The working area of 740 x 570 mm is particularly suitable for working on large components. Thanks to its robust design, the 98 PRO achieves a static load-bearing capacity of 1,400 kg. The drawers can be loaded with up to 40 kg thanks to stiffening, and the bottom drawer can even be loaded with up to 60 kg.



Secure down to the last detail.

The drawers are centrally locked using a cylinder lock with a folding key. The single-drawer lock prevents unintentional opening while driving. In addition, only one drawer can always be opened at a time, ensuring reliable tipping protection.



Everything in its place.

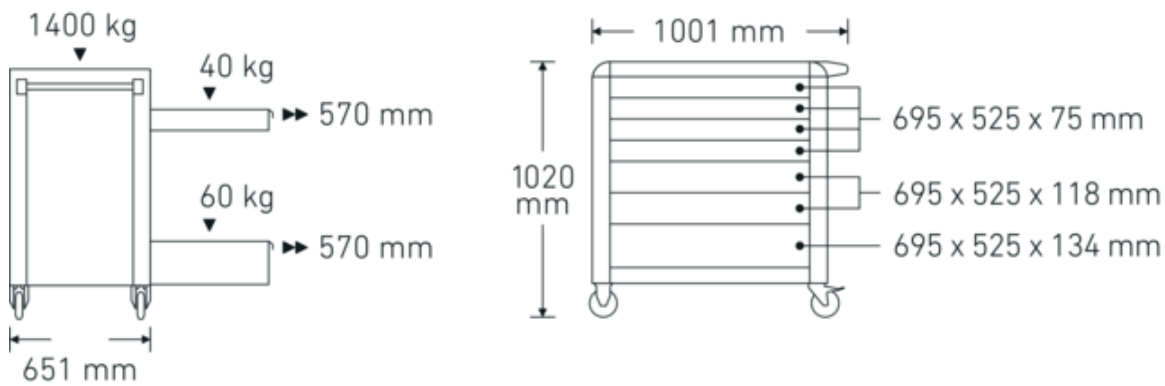
The TTS 98 PRO can be supplemented with the STAHLWILLE TCS system. The TCS inserts protect the tools and keep things in order. The signal colour makes it immediately clear, if a tool is missing. The 3D depressions make quick and convenient removal possible.



Full configuration as standard.

regardless of whether it is a roll of paper towels or spray can holder, all-round collision protection with impact damping, hole grid on both sides for attaching accessories, Parking brakes or oil and acid-resistant smooth-running wheels (Ø 125 mm) with thread guard. The 98 PRO comes with many features as standard.

Technical Drawing.



Technical Attributes.

Number of drawers	7
Width mm (b)	1001 mm
Colour	red, RAL 3020; black RAL 9005
Colour abbreviation	RAL 3020; RAL 9005
Height mm (h)	1020 mm
Length mm (L)	651 mm
No.	98/7 R PRO
Internal drawer dimensions mm	695 x 525 x 75 mm (4x) 695 x 525 x 118 mm (2x) 695 x 525 x 134 mm (1x)
Drawer load capacity	40 kg 40 kg 60 kg
Load capacity	1,400 kg

Logistics data.

Depth mm (IFS)	890
Width mm (IFS)	650
Height mm (IFS)	865
Length (packed, mm)	987
Width (packed, mm)	745
Height (packed, mm)	925
Volume (packed, dm ³)	680.166375 dm ³
Art. no.	81200171
Weight (gross, kg)	123,500
Weight PAP (kg)	9,500
Weight PVC (kg)	0,000
GTIN	4018754334513
Country of origin	CHINA
Region of origin	Ausländischer Ursprung
WEEE/ElektroG	nicht ear-pflichtig
Customs tariff no.	94032080
Packing standard	1
Weight	114000 g

Variants.

Art. no.	Art. no. (ERP)	Description	GTIN
81200169	98/7 A PRO	Tool trolley 98/7 PRO 7 Drawers 651 x 1001 x 1020 mm anthracite, RAL 7016; black, RAL 9008	4018754334490

81200170	98/7 B PRO	Tool trolley 98/7 PRO 7 Drawers 651 x 1001 x 1020 mm blue, RAL 2703035	4018754334506
81200171	98/7 R PRO	Tool trolley 98/7 PRO 7 Drawers 651 x 1001 x 1020 mm red, RAL 3020; black RAL 9005	4018754334513

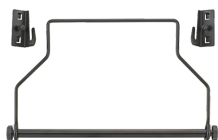
GTIN-Code.



Accessories.



90432727
Spray-can holder



81483004
Paper roll holder



89010040
Cable holder



83812070
Empty tray for small components



81484001
Drawer separator



81484002
Drawer divider



89010003
Non-slip mat GRIPMAT

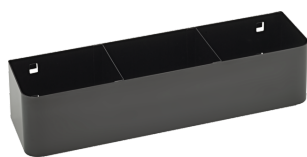


89011053
Waste bin



89010042
Laptop holder adaptor

Spare parts/spare part for.



90432719

Spray-can holder

Images.



STAHLWILLE Eduard Wille GmbH & Co. KG

Lindenallee 27 · 42349 Wuppertal · Germany · Phone: +49 202 4791-0 · Fax: +49 202 4791-200

info@stahlwille.de · www.stahlwille.com · Copyright by STAHLWILLE Eduard Wille GmbH & Co. KG, Wuppertal

Copyright by STAHLWILLE Eduard Wille GmbH & Co. KG, Wuppertal