



## VDE snipe nose plier w.cutter (radio- or telephone pliers)

6530 VDE



Product no. **65307160**  
GTIN **4018754137787**  
Model **6530 7 160**  
**FLACHRUNDZANGE MIT  
SCHNEIDE VDE 160 MM**



### Label.

VDE snipe nose plier w.cutter (radio- or telephone pliers) L.160mm Head Chrome-plated Handles Immersion-insulated DIN EN 60900, #T; AC/1000 V

### Features.

- DIN ISO 5745
- Form B, bent 45°
- half round, long tapering, serrated jaws
- with burner hole
- precision cutting edges for soft and hard wires
- induction hardened cutting edges, approx. 60 HRC

## Advantages.

DIN ISO 5745

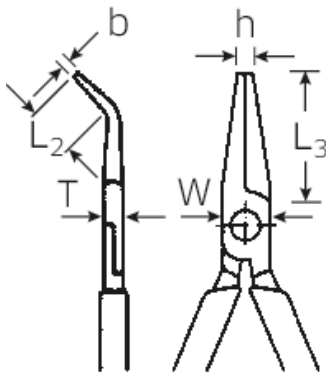
## Product highlights.



### Safe.

The anti-slip protection prevents your hands slipping off towards the jaws.

## Technical Drawing.



## Technical Attributes.

|                        |  |
|------------------------|--|
| Jaw length mm (b)      | 55 mm  |
| Width mm (b)           | 2,5 mm   |
| DIN                    | DIN ISO 5745   |
| Handles                | Immersion-insulated<br>DIN EN 60900, #T; AC/<br>1000 V |
| Height mm (h)          | 3 mm   |
| Head                   | Chrome-plated  |
| Head width mm (a)      | 16 mm  |
| Head thickness mm (T2) | 9 mm   |
| L2                     | 24 mm  |
| Length mm (L)          | 160 mm   |
| Tip width mm (f)       | 3 mm   |
| Tip thickness mm (T1)  | 2.5 mm   |

## Logistics data.

|                      |                     |
|----------------------|---------------------|
| Depth mm (IFS)       | 165                 |
| Width mm (IFS)       | 61                  |
| Height mm (IFS)      | 32                  |
| Length (packed, mm)  | 175                 |
| Width (packed, mm)   | 65                  |
| Height (packed, mm)  | 32                  |
| Volume (packed, dm3) | 0.364 dm3           |
| Art. no.             | 65307160            |
| Weight (gross, kg)   | 0,209               |
| Weight PAP (kg)      | 0,000               |
| Weight PVC (kg)      | 0,005               |
| GTIN                 | 4018754137787       |
| Country of origin    | GERMANY             |
| Region of origin     | Thüringen           |
| WEEE/ElektroG        | nicht ear-pflichtig |
| Customs tariff no.   | 82032000            |
| Packing standard     | 1                   |
| Weight               | 185 g               |

## Variants.

| Art. no. | Art. no. (ERP)   | Description   | GTIN          |
|----------|--|---|---------------|
| 65307160 | 6530 7 160<br>FLACHRUNTZANGE<br>MIT SCHNEIDE VDE<br>160 MM | VDE snipe nose plier w.cutter (radio- or<br>telephone pliers) L.160mm Head<br>Chrome-plated Handles Immersion-<br>insulated DIN EN 60900, #T; AC/1000 V | 4018754137787 |

65307200

6530 7 200  
FLACHRUNDZANGE  
MIT SCHNEIDE VDE  
200 MM

VDE snipe nose plier w.cutter (radio- or  
telephone pliers) L.200mm Head  
Chrome-plated Handles Immersion-  
insulated DIN EN 60900, #T; AC/1000 V

4018754037186

## GTIN-Code.



**STAHLWILLE Eduard Wille GmbH & Co. KG**

Lindenallee 27 · 42349 Wuppertal · Germany · Phone: +49 202 4791-0 · Fax: +49 202 4791-200  
info@stahlwille.de · www.stahlwille.com · Copyright by STAHLWILLE Eduard Wille GmbH & Co. KG, Wuppertal  
Copyright by STAHLWILLE Eduard Wille GmbH & Co. KG, Wuppertal