



## Mechanical loader for torque screwdrivers

**7790**

Product no. **58521090**  
GTIN **4018754155569**  
Model **7790**

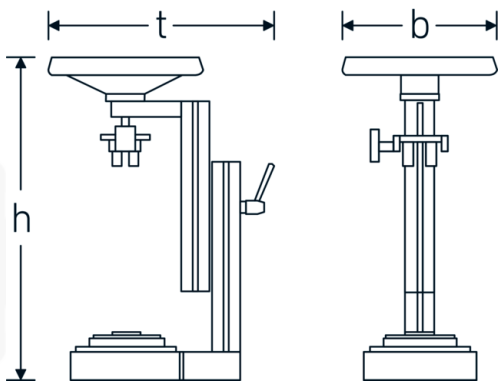
**Label.** Mechanical loader for torque screwdrivers

- Features.**
- can be bolted to mechanical loader No 7792
  - the torque screwdriver to be calibrated is inserted in the square mount of the transducer and fixed using the universal central clamp
  - the handwheel ensures that the required force is applied in a controlled manner to the torque screwdriver
  - supplied without transducer or torque screwdriver

## Advantages.

Can be screwed onto the mechanical calibration device No. 7792.

## Technical Drawing.



## Technical Attributes.

Range N-m	1-10 N-m
Width mm (b)	250 mm
for transducers	7728-1S
Height mm (h)	442-593 mm
Length mm (L)	588 mm
t	351 mm

## Logistics data.

Depth mm (IFS)	588
Width mm (IFS)	390
Height mm (IFS)	265
Length (packed, mm)	595
Width (packed, mm)	395
Height (packed, mm)	295
Volume (packed, dm3)	69.332375 dm3
Art. no.	58521090
Weight (gross, kg)	8,950
Weight PAP (kg)	1,200
Weight PVC (kg)	0,000
GTIN	4018754155569
Country of origin	GERMANY
Region of origin	Nordrhein-Westfalen
WEEE/ElektroG	nicht ear-pflichtig
Customs tariff no.	90319000
Packing standard	1
Weight	8950 g

## Variants.

Art. no.	Artikelnr. (ERP)	Description	GTIN
58521090	7790	Mechanical loader for torque screwdrivers	4018754155569

## GTIN-Code.



**STAHLWILLE Eduard Wille GmbH & Co. KG**

Lindenallee 27 · 42349 Wuppertal · Germany · Phone: +49 202 4791-0 · Fax: +49 202 4791-200

info@stahlwille.de · www.stahlwille.com · Copyright by STAHLWILLE Eduard Wille GmbH & Co. KG, Wuppertal

Copyright by STAHLWILLE Eduard Wille GmbH & Co. KG, Wuppertal