



Flex sockets 3/8", inch

47a



Product no. 02440024
GTIN 4018754004409
Model 47 A 3/8



Label. 3/8 " Flex socket Wrench size 3/8" L.45,5mm

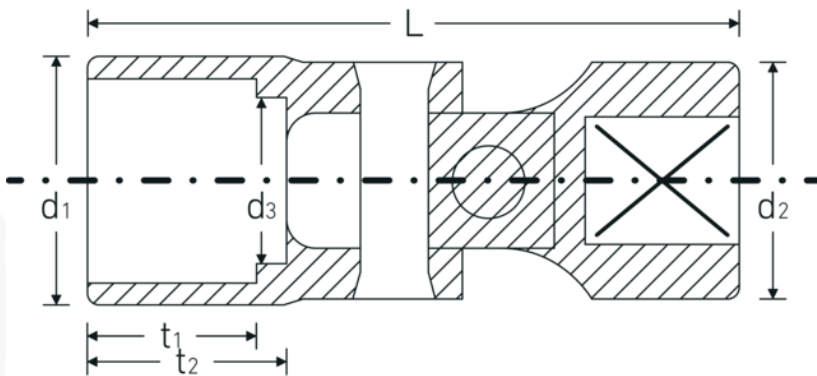
Technologies and features.



High Performance Quality (HPQ®)

Our HPQ® tool is made of wear-resistant high-performance steel, yet is thin-walled and lightweight. It withstands high torques and is ideal for work in confined spaces such as turbines.

Technical Drawing.



Technical Attributes.

Drive profile	bi-hex AS-Drive®
Internal square drive (inch)	3/8 "
d1	13,7 mm
d2	17,5 mm
d3	8,5 mm
Length mm (L)	45,5 mm
Wrench size [inch]	3/8 "
t1	7 mm
t2	12 mm

Logistics data.

Depth mm (IFS)	45
Width mm (IFS)	20
Height mm (IFS)	20
Length (packed, mm)	45
Width (packed, mm)	20
Height (packed, mm)	20
Volume (packed, dm3)	0.018 dm3
Product no.	02440024
Weight (gross, kg)	0,050
Weight PAP (kg)	0,000
Weight PVC (kg)	0,002
GTIN	4018754004409
Country of origin	GERMANY
Region of origin	Nordrhein-Westfalen
WEEE/ElektroG	nicht ear-pflichtig
Customs tariff no.	82042000
Packing standard	1
Weight	50 g

Variants.

Product no.	Model no. (ERP)	Description	GTIN
02440020	47 A 5/16	3/8 " Flex socket Wrench size 5/16" L.45,5mm	4018754173617
02440024	47 A 3/8	3/8 " Flex socket Wrench size 3/8" L.45,5mm	4018754004409
02440028	47 A 7/16	3/8 " Flex socket Wrench size 7/16" L.47,5mm	4018754004416
02440032	47 A 1/2	3/8 " Flex socket Wrench size 1/2" L.47,5mm	4018754004423
02440034	47 A 9/16	3/8 " Flex socket Wrench size 9/16" L.48,5mm	4018754004430
02440036	47 A 5/8	3/8 " Flex socket Wrench size 5/8" L.51,5mm	4018754004447
02440038	47 A 11/16	3/8 " Flex socket Wrench size 11/16" L.53,5mm	4018754004454
02440040	47 A 3/4	3/8 " Flex socket Wrench size 3/4" L.57mm	4018754004461

GTIN-Code.

