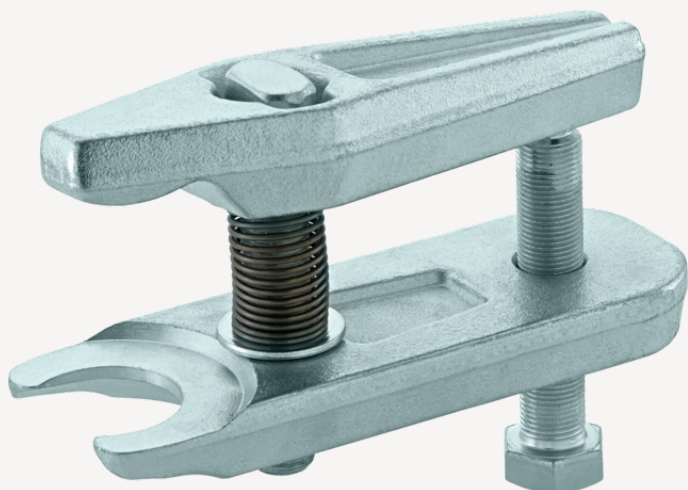


Ball joint puller

11704

Product no. **71070004**
GTIN **4018754346677**
Model **11704 Kugelgelenkabzieher**



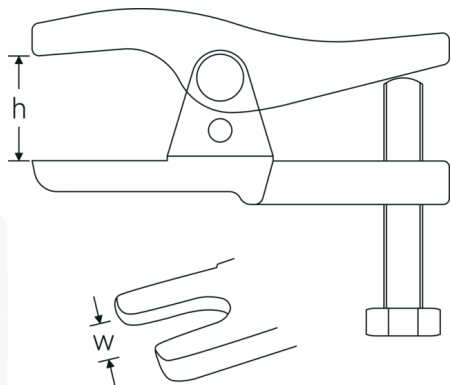
Label.

Ball joint puller

Product highlights.



Technical Drawing.



Technical Attributes.

A	27-36 mm
Clear hight (h) mm	90 mm
max. load	10 t
max. torque	100 N·m

Logistics data.

Depth mm (IFS)	235
Width mm (IFS)	143
Height mm (IFS)	110
Length (packed, mm)	235
Width (packed, mm)	143
Height (packed, mm)	110
Volume (packed, dm3)	3.69655 dm3
Product no.	71070004
Weight (gross, kg)	6,500
Weight PAP (kg)	0,126
Weight PVC (kg)	0,000
GTIN	4018754346677
Country of origin	GERMANY
Region of origin	Nordrhein-Westfalen
WEEE/ElektroG	nicht ear-pflichtig
Customs tariff no.	82055980
Packing standard	1
Weight	2790 g

Variants.

Product no.	Art. no. (ERP)	Description	GTIN
71070004	11704 Kugelgelenkabzieher	Ball joint puller	4018754346677

GTIN-Code.

