



**Adjustable open-ended wrench,  
metric**

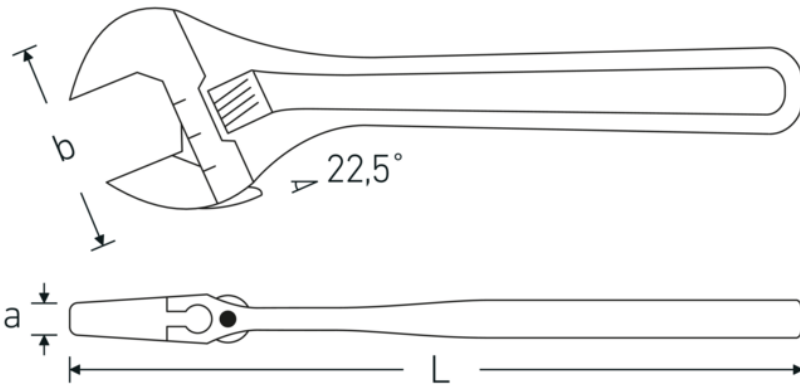
**4026N**



Product no. **40260106**  
GTIN **4018754299577**  
Model **4026 6**

**Label.** Adjustable open-ended wrench max. wrench size 24mm L.161mm

**Technical Drawing.**



**Technical Attributes.**

<b>a</b>	10,8 mm
<b>Width mm (b)</b>	50 mm
<b>DIN</b>	DIN 3117 / ISO 6787 Form B
<b>Size</b>	6
<b>Length mm (L)</b>	161 mm
<b>Schlüsselweite max. [mm]</b>	24 mm

**Logistics data.**

<b>Depth mm (IFS)</b>	160
<b>Width mm (IFS)</b>	46
<b>Height mm (IFS)</b>	11
<b>Length (packed, mm)</b>	163
<b>Width (packed, mm)</b>	64
<b>Height (packed, mm)</b>	40
<b>Volume (packed, dm3)</b>	0.41728 dm3
<b>Product no.</b>	40260106
<b>Weight (gross, kg)</b>	0,650

<b>Weight PAP (kg)</b>	0,000
<b>Weight PVC (kg)</b>	0,009
<b>GTIN</b>	4018754299577
<b>Country of origin</b>	SPAIN
<b>Region of origin</b>	Ausländischer Ursprung
<b>WEEE/ElektroG</b>	nicht ear-pflichtig
<b>Customs tariff no.</b>	82041200
<b>Packing standard</b>	5
<b>Weight</b>	155 g

## Variants.

Product no.	Art. no. (ERP)	Description	GTIN
40260104	4026 4	Adjustable open-ended wrench max. wrench size 13mm L.115mm	4018754299560
40260106	4026 6	Adjustable open-ended wrench max. wrench size 24mm L.161mm	4018754299577
40260108	4026 8	Adjustable open-ended wrench max. wrench size 30mm L.207mm	4018754299584
40260110	4026 10	Adjustable open-ended wrench max. wrench size 34mm L.259mm	4018754299591
40260112	4026 12	Adjustable open-ended wrench max. wrench size 39mm L.311mm	4018754299607
40260115	4026 15	Adjustable open-ended wrench max. wrench size 44mm L.386mm	4018754299614
40260118	4026 18	Adjustable open-ended wrench max. wrench size 53mm L.462mm	4018754299621

## GTIN-Code.

