



Adjustable open-ended spanner, metric

4026N



Product no. 40260110
GTIN 4018754299591
Model 4026 10

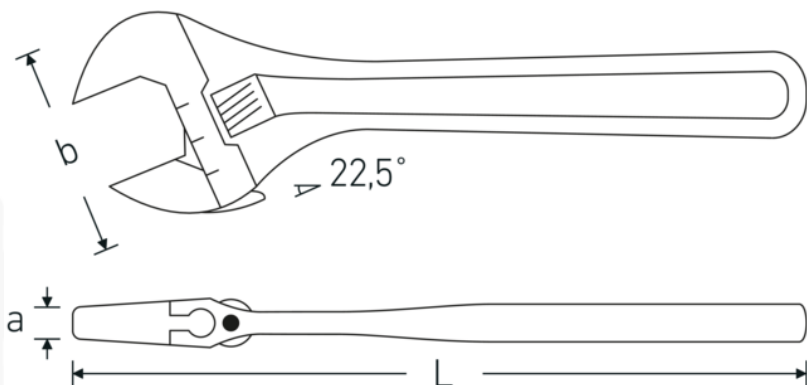
Label. Adjustable open-ended spanner max. spanner size 34mm L.259mm

- Features.**
- left-handed
 - DIN 3117/ISO 6787 (B shape)
 - ASME B 107.100
 - jaw offset 22.5°
 - Chrome-Vanadium, gunmetal finish

Advantages.

Left-handed

Technical Drawing.



Technical Attributes.

| | |
|---------------------------------|-------------------------------|
| a | 15,8 mm |
| Width mm (b) | 74 mm |
| DIN | DIN 3117 / ISO 6787 Form B |
| Size | 10 |
| Length mm (L) | 259 mm |
| Schlüsselweite max. [mm] | 34 mm |

Logistics data.

| | |
|-----------------------------|------------------------|
| Depth mm (IFS) | 255 |
| Width mm (IFS) | 68 |
| Height mm (IFS) | 15 |
| Length (packed, mm) | 257 |
| Width (packed, mm) | 78 |
| Height (packed, mm) | 65 |
| Volume (packed, dm3) | 1.30299 dm3 |
| Art. no. | 40260110 |
| Weight (gross, kg) | 2,100 |
| Weight PAP (kg) | 0,000 |
| Weight PVC (kg) | 0,013 |
| GTIN | 4018754299591 |
| Country of origin | SPAIN |
| Region of origin | Ausländischer Ursprung |
| WEEE/ElektroG | nicht ear-pflichtig |
| Customs tariff no. | 82041200 |
| Packing standard | 5 |
| Weight | 490 g |

Variants.

| Art. no. | Art. no. (ERP) | Description | GTIN |
|----------|----------------|--------------------------------------------------------------|---------------|
| 40260104 | 4026 4 | Adjustable open-ended spanner max. spanner size 13mm L.115mm | 4018754299560 |
| 40260106 | 4026 6 | Adjustable open-ended spanner max. spanner size 24mm L.161mm | 4018754299577 |
| 40260108 | 4026 8 | Adjustable open-ended spanner max. spanner size 30mm L.207mm | 4018754299584 |
| 40260110 | 4026 10 | Adjustable open-ended spanner max. spanner size 34mm L.259mm | 4018754299591 |
| 40260112 | 4026 12 | Adjustable open-ended spanner max. spanner size 39mm L.311mm | 4018754299607 |
| 40260115 | 4026 15 | Adjustable open-ended spanner max. spanner size 44mm L.386mm | 4018754299614 |
| 40260118 | 4026 18 | Adjustable open-ended spanner max. spanner size 53mm L.462mm | 4018754299621 |

GTIN-Code.



STAHLWILLE Eduard Wille GmbH & Co. KG

Lindenallee 27 · 42349 Wuppertal · Germany · Phone: +49 202 4791-0 · Fax: +49 202 4791-200
info@stahlwille.de · www.stahlwille.com · Copyright by STAHLWILLE Eduard Wille GmbH & Co. KG, Wuppertal
Copyright by STAHLWILLE Eduard Wille GmbH & Co. KG, Wuppertal