



UNIFLEX sockets

402a

Product no. **01540032**
GTIN **4018754001637**
Model **402 A 1/2**



Label. 1/4 " UNIFLEX sockets Spanner size 1/2" L.41,5mm

Features.

- SAE AS 954-E, ASME B 107.1
- HPQ® heavy-duty steel, chrome-plated

Advantages.

SAE AS 954-E, ASME B 107.1.

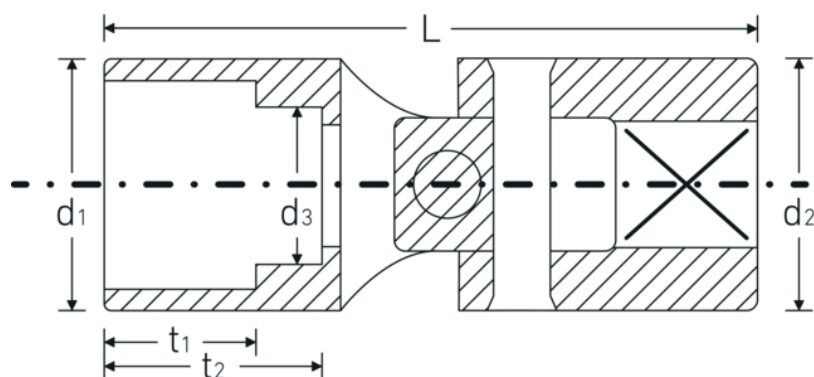
Technologies and features.



High Performance Quality (HPQ®)

Our HPQ® tool is made of wear-resistant high-performance steel, yet is thin-walled and lightweight. It withstands high torques and is ideal for work in confined spaces such as turbines.

Technical Drawing.



Technical Attributes.

Drive profile	bi-hex AS-Drive®
Internal square drive (inch)	1/4 "
d1	17,3 mm
d2	12,7 mm
d3	12 mm
Length mm (L)	41,5 mm
Spanner size [inch]	1/2 "
t1	11,1 mm
t2	16,5 mm

Logistics data.

Depth mm (IFS)	41
Width mm (IFS)	18
Height mm (IFS)	18
Length (packed, mm)	65
Width (packed, mm)	60
Height (packed, mm)	18
Volume (packed, dm3)	0.0702 dm3
Art. no.	01540032
Weight (gross, kg)	0,135
Weight PAP (kg)	0,000
Weight PVC (kg)	0,002
GTIN	4018754001637
Country of origin	GERMANY
Region of origin	Nordrhein-Westfalen
WEEE/ElektroG	nicht ear-pflichtig
Customs tariff no.	82042000
Packing standard	5
Weight	27 g

Variants.

Art. no.	Model no. (ERP)	Description	GTIN
01540014	402 A 7/32	1/4 " UNIFLEX sockets Spanner size 7/32" L.32mm	4018754173570
01540016	402 A 1/4	1/4 " UNIFLEX sockets Spanner size 1/4" L.32mm	4018754001590

01540018	402 A 9/32	1/4 " UNIFLEX sockets Spanner size 9/32" L.32mm	4018754173587
01540020	402 A 5/16	1/4 " UNIFLEX sockets Spanner size 5/16" L.35mm	4018754001606
01540022	402 A 11/32	1/4 " UNIFLEX sockets Spanner size 11/32" L.35mm	4018754173594
01540024	402 A 3/8	1/4 " UNIFLEX sockets Spanner size 3/8" L.38mm	4018754001613
01540028	402 A 7/16	1/4 " UNIFLEX sockets Spanner size 7/16" L.39,5mm	4018754001620
01540032	402 A 1/2	1/4 " UNIFLEX sockets Spanner size 1/2" L.41,5mm	4018754001637

GTIN-Code.



STAHLWILLE Eduard Wille GmbH & Co. KG

Lindenallee 27 · 42349 Wuppertal · Germany · Phone: +49 202 4791-0 · Fax: +49 202 4791-200
info@stahlwille.de · www.stahlwille.com · Copyright by STAHLWILLE Eduard Wille GmbH & Co. KG, Wuppertal
Copyright by STAHLWILLE Eduard Wille GmbH & Co. KG, Wuppertal