



## Adapter

447



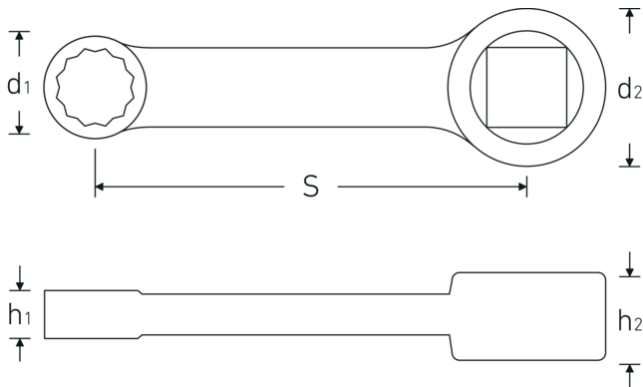
Product no. **02181008**  
GTIN **4018754139132**  
Model **447 8**



**Label.** Adapter 8mm Internal square 3/8"

- Features.**
- HPQ® heavy-duty steel, gun metal finish
  - Please note: Changed setting values on the torque wrench

## Technical Drawing.



## Technical Attributes.

Internal square [inch]	3/8 "
d1	12,4 mm
d2	19 mm
Height mm (h1)	6 mm
Height mm (h2)	11 mm
S	50,8 mm
Width across flats [mm]	8 mm

## Logistics data.

Depth mm (IFS)	65
Width mm (IFS)	17
Height mm (IFS)	10
Length (packed, mm)	105
Width (packed, mm)	30
Height (packed, mm)	15
Volume (packed, dm3)	0.04725 dm3

<b>Art. no.</b>	02181008
<b>Weight (gross, kg)</b>	0,035
<b>Weight PAP (kg)</b>	0,000
<b>Weight PVC (kg)</b>	0,002
<b>GTIN</b>	4018754139132
<b>Country of origin</b>	GERMANY
<b>Region of origin</b>	Nordrhein-Westfalen
<b>WEEE/ElektroG</b>	nicht ear-pflichtig
<b>Customs tariff no.</b>	82042000
<b>Packing standard</b>	1
<b>Weight</b>	30 g

## Variants.

Art. no.	Model no. (ERP)	Description	GTIN
02181007	447 7	Adapter 7mm Internal square 3/8"	4018754139125
02181008	447 8	Adapter 8mm Internal square 3/8"	4018754139132
02181009	447 9	Adapter 9mm Internal square 3/8"	4018754140992
02181010	447 10	Adapter 10mm Internal square 3/8"	4018754141005
02181013	447 13	Adapter 13mm Internal square 3/8"	4018754141012

## GTIN-Code.



### STAHLWILLE Eduard Wille GmbH & Co. KG

Lindenallee 27 · 42349 Wuppertal · Germany · Phone: +49 202 4791-0 · Fax: +49 202 4791-200  
info@stahlwille.de · www.stahlwille.com · Copyright by STAHLWILLE Eduard Wille GmbH & Co. KG, Wuppertal  
Copyright by STAHLWILLE Eduard Wille GmbH & Co. KG, Wuppertal