



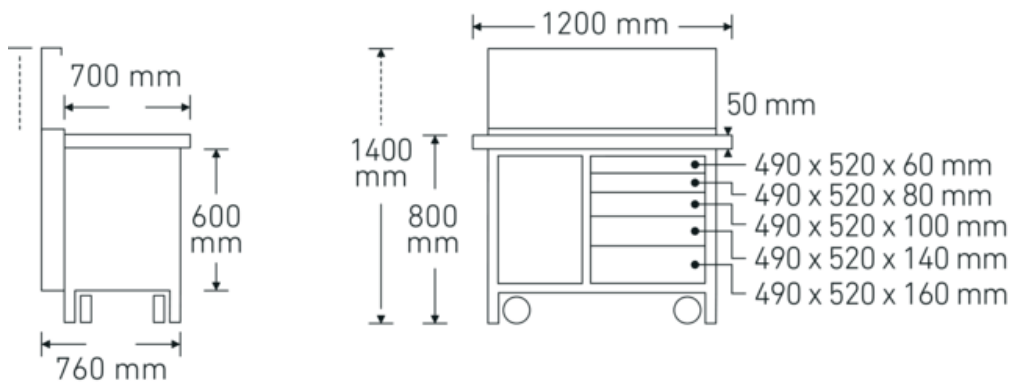
Mobile workbench

96/3

Product no. **85030003**
 GTIN **4018754054336**
 Model **96/3 MOBILE WERKBANK**

Label. Mobile workbench 5 Drawers L.760mm x W.1200mm x H.1400mm

Technical Drawing.



Technical Attributes.

Number of drawers	5
Width mm (b)	1200 mm
Colour	green
Height mm (h)	1400 mm
Length mm (L)	760 mm
No.	96/3

Logistics data.

Depth mm (IFS)	1240
Width mm (IFS)	840
Height mm (IFS)	960
Length (packed, mm)	1250
Width (packed, mm)	840
Height (packed, mm)	960
Volume (packed, dm ³)	1008 dm ³
Product no.	85030003
Weight (gross, kg)	186,500

Weight PAP (kg)	1,500
Weight PVC (kg)	0,150
GTIN	4018754054336
Country of origin	OHNE
Region of origin	Ausländischer Ursprung
WEEE/ElektroG	nicht ear-pflichtig
Customs tariff no.	94032080
Packing standard	1

Variants.

Product no.	Art. no. (ERP)	Description	GTIN
85030003	96/3 MOBILE WERKBANK	Mobile workbench 5 Drawers L.760mm x W.1200mm x H.1400mm	4018754054336

GTIN-Code.



Accessories.



80340040
Twin hook



80340050
Twin hook



80310030
Single hook



80310060
Single hook



80310090
Single hook



80320030
Twin hook



80320060
Twin hook



80360012
Spring clip



80360018
Spring clip



80360024
Spring clip



81485006
Spring clip



81485012
Spring clip



96003010
Sockets set with clip
rail



80380030
Quiver



80350017
Square lug



80350020
Square lug