



Adjustable open-ended wrench, metric

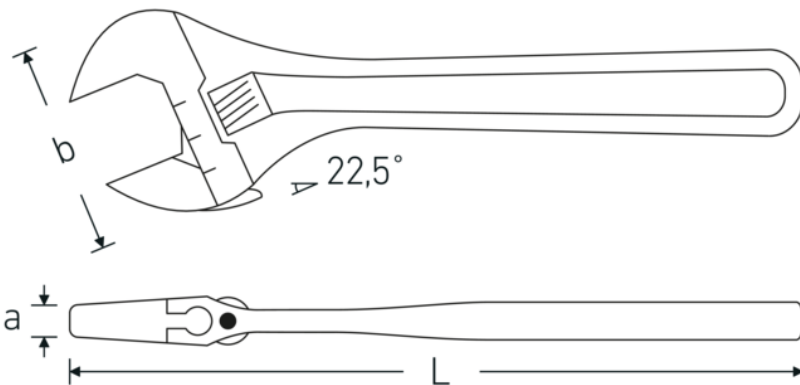
4026



Product no. **40260104**
GTIN **4018754299560**
Model **4026 4**

Label. Adjustable open-ended wrench max. wrench size 13mm L.115mm

Technical Drawing.



Technical Attributes.

| | |
|--------------------------|-------------------------------|
| a | 9,5 mm |
| Width mm (b) | 35 mm |
| DIN | DIN 3117 / ISO 6787 Form B |
| Size | 4 |
| Length mm (L) | 115 mm |
| Wrench width max. | 13 mm |

Logistics data.

| | |
|-----------------------------|--------------|
| Depth mm (IFS) | 115 |
| Width mm (IFS) | 32 |
| Height mm (IFS) | 9 |
| Length (packed, mm) | 117 |
| Width (packed, mm) | 38 |
| Height (packed, mm) | 39 |
| Volume (packed, dm3) | 0.173394 dm3 |
| Product no. | 40260104 |
| Weight (gross, kg) | 0,250 |

| | |
|------------------------------|------------------------|
| Weight PAP (kg) | 0,000 |
| Weight PVC (kg) | 0,006 |
| GTIN | 4018754299560 |
| Country of origin AWR | SPAIN |
| Region of origin | Ausländischer Ursprung |
| WEEE/ElektroG | nicht ear-pflichtig |
| Customs tariff no. | 82041200 |
| Packing standard | 5 |
| Weight | 52 g |

Variants.

| Product no. | Model no. (ERP) | Description | GTIN |
|-------------|-----------------|--|---------------|
| 40260104 | 4026 4 | Adjustable open-ended wrench max. wrench size 13mm L.115mm | 4018754299560 |
| 40260106 | 4026 6 | Adjustable open-ended wrench max. wrench size 24mm L.161mm | 4018754299577 |
| 40260108 | 4026 8 | Adjustable open-ended wrench max. wrench size 30mm L.207mm | 4018754299584 |
| 40260110 | 4026 10 | Adjustable open-ended wrench max. wrench size 34mm L.259mm | 4018754299591 |
| 40260112 | 4026 12 | Adjustable open-ended wrench max. wrench size 39mm L.311mm | 4018754299607 |
| 40260115 | 4026 15 | Adjustable open-ended wrench max. wrench size 44mm L.386mm | 4018754299614 |
| 40260118 | 4026 18 | Adjustable open-ended wrench max. wrench size 53mm L.462mm | 4018754299621 |

GTIN-Code.

