



USB power supply

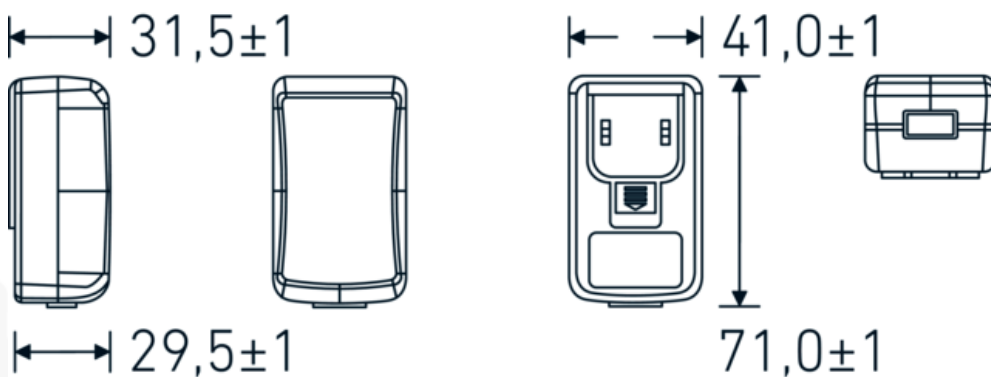
7763

Product no. **52110063**
GTIN **4018754322978**
Model **7763**

Label. USB mains adaptor 100-240V 5-5,2V

- Features.**
- regulated switching power supply AC-DC power supply AC adaptor
 - input voltage 100-240V~, 50-60 Hz
 - maximum input current 0.3A
 - maximum output power 10 watts
 - output voltage 5-5.2 volts
 - efficiency USA DOE Level VI / EU Ecodesign Directive (Directive 2009/125/EC), (EU) 2019/1782
 - ingress protection of water for indoor use
 - size 41.0 x 71.0 x 31.5 mm

Technical Drawing.



Technical Attributes.

Output voltage 5-5,2 V

Logistics data.

Depth mm (IFS) 150

Input voltage	100-240 V	Width mm (IFS)	100
for model	SmartCheck, Ladegerät 7162	Height mm (IFS)	50
		WEEE/ElektroG	Kleingeräte B2C
		Length (packed, mm)	150
		Width (packed, mm)	100
		Height (packed, mm)	50
		Volume (packed, dm3)	0.75 dm3
		Product no.	52110063
		Weight (gross, kg)	0,108
		Weight PAP (kg)	0,000
		Weight PVC (kg)	0,000
		GTIN	4018754322978
		Country of origin AWR	CHINA
		Region of origin	Ausländischer Ursprung
		Customs tariff no.	85044083
		Packing standard	1
		Weight	108 g

Variants.

Product no.	Model no. (ERP)	Description	GTIN
52110063	7763	USB mains adaptor 100-240V 5-5,2V	4018754322978

GTIN-Code.



STAHLWILLE Eduard Wille GmbH & Co. KG

Lindenallee 27 · 42349 Wuppertal · Germany · Phone: +49 202 4791-0 · Fax: +49 202 4791-200
 info@stahlwille.de · www.stahlwille.com · Copyright by STAHLWILLE Eduard Wille GmbH & Co. KG, Wuppertal
 Copyright by STAHLWILLE Eduard Wille GmbH & Co. KG, Wuppertal