



## IMPACT sockets 1/2"

### 50D IMP

Product no.	23011036
GTIN	4018754251568
Model	50D IMP 36



**Label.** IMPACT socket 1/2 " 36mm L.50mm

- Features.**
- with bi-hex
  - 1/2" internal square drive
  - Chrome Alloy Steel, gunmetal finish

## Product highlights.



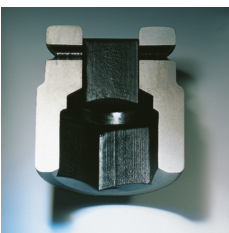
### Powerful and resilient.

The sockets are made from high-quality Chrome Alloy Steel. They are hardened in oil to prevent stress and distortion.



### Optimized functionality.

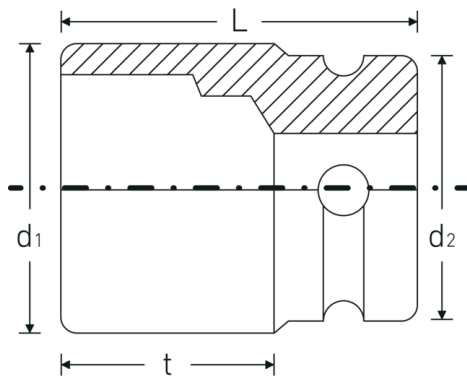
All IMPACT sockets have a through cross hole for the connecting pin and a deep groove for the rubber locking ring. The locking pin is not stressed during use.



### High fitting accuracy.

The high precision fit, achieved through tight tolerances, ensures optimal, backlash-free transmission of forces to the socket.

## Technical Drawing.



## Technical Attributes.

Drive profile	bi-hex
Internal square drive (inch)	1/2 "
d1	49 mm
d2	30 mm
Length mm (L)	50 mm
Width across flats [mm]	36 mm

## Logistics data.

Depth mm (IFS)	50
Width mm (IFS)	50
Height mm (IFS)	50
WEEE/ElektroG	nicht ear-pflichtig
Length (packed, mm)	50
Width (packed, mm)	50
Height (packed, mm)	50
Volume (packed, dm3)	0.125 dm3
Product no.	23011036
Weight (gross, kg)	0,313
Weight PAP (kg)	0,000
Weight PVC (kg)	0,002
GTIN	4018754251568
Country of origin AWR	TAIWAN, PROVINCE OF CHINA
Region of origin	Ausländischer Ursprung
Customs tariff no.	82042000
Packing standard	1
Weight	313 g

## Variants.

Product no.	Model no. (ERP)	Description	GTIN
23011032	50D IMP 32	IMPACT socket 1/2 " 32mm L.43mm	4018754251551
23011036	50D IMP 36	IMPACT socket 1/2 " 36mm L.50mm	4018754251568

## GTIN-Code.

