



Adjustable open-ended spanner, metric

4025

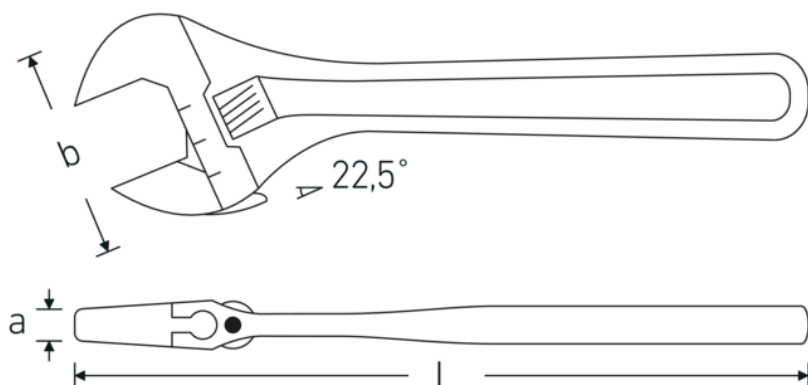


Product no. **40250104**
GTIN **4018754299492**
Model **4025 4**

Label. Adjustable open-ended spanner max.size 13mm L.115mm

- Features.**
- right-handed
 - DIN 3117/ISO 6787 (B shape)
 - ASME B107.100
 - jaw offset 22.5°
 - Chrome Vanadium, chrome plated

Technical Drawing.



Technical Attributes.

a	9,5 mm
Width mm (b)	35 mm
DIN	DIN 3117 / ISO 6787 Form B
Size	4

Logistics data.

Depth mm (IFS)	115
Width mm (IFS)	32
Height mm (IFS)	9
Length (packed, mm)	117

Length mm (L)	115 mm	Width (packed, mm)	38
Spanner size max.	13 mm	Height (packed, mm)	39
		Volume (packed, dm3)	0.173394 dm3
		Product no.	40250104
		Weight (gross, kg)	0,275
		Weight PAP (kg)	0,000
		Weight PVC (kg)	0,007
		GTIN	4018754299492
		Country of origin AWR	SPAIN
		Region of origin	Ausländischer Ursprung
		WEEE/ElektroG	nicht ear-pflichtig
		Customs tariff no.	82041200
		Packing standard	5
		Weight	52 g

Variants.

Product no.	Model no. (ERP)	Description	GTIN
40250104	4025 4	Adjustable open-ended spanner max.size 13mm L.115mm	4018754299492
40250106	4025 6	Adjustable open-ended spanner max.size 24mm L.161mm	4018754299508
40250108	4025 8	Adjustable open-ended spanner max.size 30mm L.207mm	4018754299515
40250110	4025 10	Adjustable open-ended spanner max.size 34mm L.259mm	4018754299522
40250112	4025 12	Adjustable open-ended spanner max.size 39mm L.311mm	4018754299539
40250115	4025 15	Adjustable open-ended spanner max.size 44mm L.386mm	4018754299546
40250118	4025 18	Adjustable open-ended spanner max.size 53mm L.462mm	4018754299553

GTIN-Code.





STAHLWILLE Eduard Wille GmbH & Co. KG

Lindenallee 27 · 42349 Wuppertal · Germany · Phone: +49 202 4791-0 · Fax: +49 202 4791-200
info@stahlwille.de · www.stahlwille.com · Copyright by STAHLWILLE Eduard Wille GmbH & Co. KG, Wuppertal
Copyright by STAHLWILLE Eduard Wille GmbH & Co. KG, Wuppertal