

## IMPACT socket

### 66IMP



Product no. **26020027**  
GTIN **4018754016419**  
Model **66 IMP 27**



**Label.** IMPACT socket 1 " 27mm L.110mm

- Features.**
- long version
  - with hex
  - 1" internal square drive
  - Chrome Alloy Steel, gunmetal finish
  - DIN 3129 / ISO 1711-2

## Advantages.

1" internal square drive.

## Product highlights.



### Powerful and resilient.

The sockets are made from high-quality Chrome Alloy Steel. They are hardened in oil to prevent stress and distortion.



### Optimized functionality.

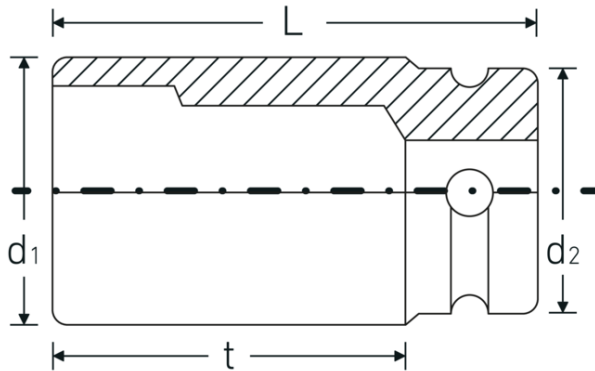
All IMPACT sockets have a through cross hole for the connecting pin and a deep groove for the rubber locking ring. The locking pin is not stressed during use.



### High fitting accuracy.

The high precision fit, achieved through tight tolerances, ensures optimal, backlash-free transmission of forces to the socket.

## Technical Drawing.



## Technical Attributes.

|                              |        |
|------------------------------|--------|
| Drive profile                | hex    |
| Internal square drive (inch) | 1 "    |
| d1                           | 45 mm  |
| d2                           | 54 mm  |
| Length mm (L)                | 110 mm |
| Width across flats [mm]      | 27 mm  |
| t                            | 80 mm  |

## Logistics data.

|                       |                     |
|-----------------------|---------------------|
| Depth mm (IFS)        | 110                 |
| Width mm (IFS)        | 55                  |
| Height mm (IFS)       | 55                  |
| WEEE/ElektroG         | nicht ear-pflichtig |
| Length (packed, mm)   | 111                 |
| Width (packed, mm)    | 111                 |
| Height (packed, mm)   | 56                  |
| Volume (packed, dm3)  | 0.689976 dm3        |
| Product no.           | 26020027            |
| Weight (gross, kg)    | 2,786               |
| Weight PAP (kg)       | 0,000               |
| Weight PVC (kg)       | 0,008               |
| GTIN                  | 4018754016419       |
| Country of origin AWR | GERMANY             |
| Region of origin      | Nordrhein-Westfalen |
| Customs tariff no.    | 82042000            |
| Packing standard      | 2                   |
| Weight                | 1393 g              |

## Variants.

| Product no. | Model no. (ERP) | Description                    | GTIN          |
|-------------|-----------------|--------------------------------|---------------|
| 26020024    | 66 IMP 24       | IMPACT socket 1 " 24mm L.110mm | 4018754016402 |
| 26020027    | 66 IMP 27       | IMPACT socket 1 " 27mm L.110mm | 4018754016419 |
| 26020030    | 66 IMP 30       | IMPACT socket 1 " 30mm L.110mm | 4018754016426 |
| 26020032    | 66 IMP 32       | IMPACT socket 1 " 32mm L.110mm | 4018754016433 |
| 26020033    | 66 IMP 33       | IMPACT socket 1 " 33mm L.110mm | 4018754016440 |
| 26020036    | 66 IMP 36       | IMPACT socket 1 " 36mm L.110mm | 4018754016457 |
| 26020038    | 66 IMP 38       | IMPACT socket 1 " 38mm L.110mm | 4018754016464 |
| 26020041    | 66 IMP 41       | IMPACT socket 1 " 41mm L.110mm | 4018754016471 |
| 26020046    | 66 IMP 46       | IMPACT socket 1 " 46mm L.110mm | 4018754016488 |

## GTIN-Code.

