

IMPACT sockets 3/4"

56IMP



Product no. **25020017**
GTIN **4018754233908**
Model **56 IMP 17**



Label. IMPACT socket 3/4 " 17mm L.90mm

- Features.**
- long version
 - with hex
 - 3/4" internal square drive
 - Chrome Alloy Steel, gunmetal finish
 - DIN 3129 / ISO 1711-2

Product highlights.



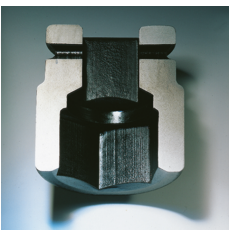
Powerful and resilient.

The sockets are made from high-quality Chrome Alloy Steel. They are hardened in oil to prevent stress and distortion.



Optimised functionality.

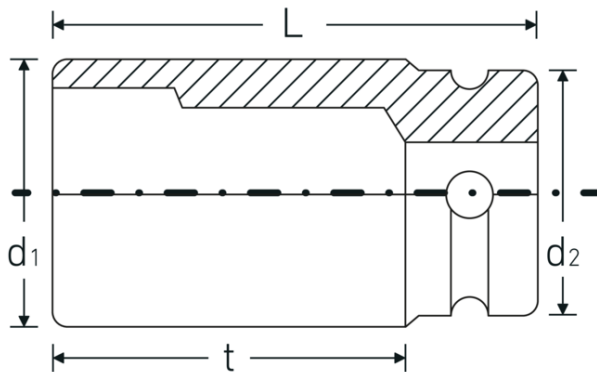
All IMPACT sockets have a through cross hole for the connecting pin and a deep groove for the rubber locking ring. The locking pin is not stressed during use.



High fitting accuracy.

The high fitting accuracy due to tight tolerances guarantees optimum, backlash-free transmission of forces to the socket.

Technical Drawing.



Technical Attributes.

| | |
|------------------------------|---------|
| Drive profile | hex |
| Internal square drive (inch) | 3/4 " |
| d1 | 28,2 mm |
| d2 | 38 mm |
| Length mm (L) | 90 mm |
| Spanner size [mm] | 17 mm |
| t | 75 mm |

Logistics data.

| | |
|-----------------------|---------------------------|
| Depth mm (IFS) | 100 |
| Width mm (IFS) | 44 |
| Height mm (IFS) | 44 |
| WEEE/ElektroG | nicht ear-pflichtig |
| Length (packed, mm) | 101 |
| Width (packed, mm) | 90 |
| Height (packed, mm) | 45 |
| Volume (packed, dm3) | 0.40905 dm3 |
| Product no. | 25020017 |
| Weight (gross, kg) | 1,571 |
| Weight PAP (kg) | 0,000 |
| Weight PVC (kg) | 0,000 |
| GTIN | 4018754233908 |
| Country of origin AWR | TAIWAN, PROVINCE OF CHINA |
| Region of origin | Ausländischer Ursprung |
| Customs tariff no. | 82042000 |
| Packing standard | 2 |
| Weight | 783 g |

Variants.

| Product no. | Model no. (ERP) | Description | GTIN |
|-------------|-----------------|---------------------------------|---------------|
| 25020017 | 56 IMP 17 | IMPACT socket 3/4 " 17mm L.90mm | 4018754233908 |
| 25020019 | 56 IMP 19 | IMPACT socket 3/4 " 19mm L.90mm | 4018754233915 |

| | | | |
|----------|-----------|----------------------------------|---------------|
| 25020021 | 56 IMP 21 | IMPACT socket 3/4 " 21mm L.100mm | 4018754015801 |
| 25020022 | 56 IMP 22 | IMPACT socket 3/4 " 22mm L.100mm | 4018754015818 |
| 25020024 | 56 IMP 24 | IMPACT socket 3/4 " 24mm L.100mm | 4018754015825 |
| 25020027 | 56 IMP 27 | IMPACT socket 3/4 " 27mm L.100mm | 4018754015832 |
| 25020030 | 56 IMP 30 | IMPACT socket 3/4 " 30mm L.100mm | 4018754015856 |
| 25020032 | 56 IMP 32 | IMPACT socket 3/4 " 32mm L.100mm | 4018754015863 |
| 25020034 | 56 IMP 34 | IMPACT socket 3/4 " 34mm L.100mm | 4018754015887 |
| 25020036 | 56 IMP 36 | IMPACT socket 3/4 " 36mm L.100mm | 4018754015894 |
| 25020041 | 56 IMP 41 | IMPACT socket 3/4 " 41mm L.92mm | 4018754233922 |
| 25020046 | 56 IMP 46 | IMPACT socket 3/4 " 46mm L.92mm | 4018754233939 |

GTIN-Code.



Accessories.



39023540
IMPACT locking pin



39013650
IMPACT rubber ring

STAHLWILLE Eduard Wille GmbH & Co. KG

Lindenallee 27 · 42349 Wuppertal · Germany · Phone: +49 202 4791-0 · Fax: +49 202 4791-200

info@stahlwille.de · www.stahlwille.com · Copyright by STAHLWILLE Eduard Wille GmbH & Co. KG, Wuppertal

Copyright by STAHLWILLE Eduard Wille GmbH & Co. KG, Wuppertal