

## IMPACT sockets 3/4"

### 56IMP



Product no. **25020046**  
GTIN **4018754233939**  
Model **56 IMP 46**



**Label.** IMPACT socket 3/4 " 46mm L.92mm

- Features.**
- long version
  - with hex
  - 3/4" internal square drive
  - Chrome Alloy Steel, gunmetal finish
  - DIN 3129 / ISO 1711-2

## Product highlights.



### Powerful and resilient.

The sockets are made from high-quality Chrome Alloy Steel. They are hardened in oil to prevent stress and distortion.



### Optimised functionality.

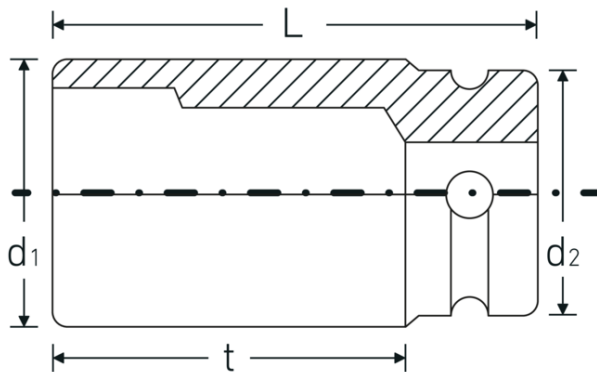
All IMPACT sockets have a through cross hole for the connecting pin and a deep groove for the rubber locking ring. The locking pin is not stressed during use.



### High fitting accuracy.

The high fitting accuracy due to tight tolerances guarantees optimum, backlash-free transmission of forces to the socket.

## Technical Drawing.



## Technical Attributes.

Drive profile	hex
Internal square drive (inch)	3/4 "
d1	67 mm
d2	44 mm
Length mm (L)	92 mm
Spanner size [mm]	46 mm
t	64 mm

## Logistics data.

Depth mm (IFS)	99
Width mm (IFS)	67
Height mm (IFS)	67
WEEE/ElektroG	nicht ear-pflichtig
Length (packed, mm)	100
Width (packed, mm)	68
Height (packed, mm)	68
Volume (packed, dm3)	0.4624 dm3
Product no.	25020046
Weight (gross, kg)	1,340
Weight PAP (kg)	0,000
Weight PVC (kg)	0,004
GTIN	4018754233939
Country of origin AWR	TAIWAN, PROVINCE OF CHINA
Region of origin	Ausländischer Ursprung
Customs tariff no.	82042000
Packing standard	1
Weight	1340 g

## Variants.

Product no.	Model no. (ERP)	Description	GTIN
25020017	56 IMP 17	IMPACT socket 3/4 " 17mm L.90mm	4018754233908
25020019	56 IMP 19	IMPACT socket 3/4 " 19mm L.90mm	4018754233915

25020021	56 IMP 21	IMPACT socket 3/4 " 21mm L.100mm	4018754015801
25020022	56 IMP 22	IMPACT socket 3/4 " 22mm L.100mm	4018754015818
25020024	56 IMP 24	IMPACT socket 3/4 " 24mm L.100mm	4018754015825
25020027	56 IMP 27	IMPACT socket 3/4 " 27mm L.100mm	4018754015832
25020030	56 IMP 30	IMPACT socket 3/4 " 30mm L.100mm	4018754015856
25020032	56 IMP 32	IMPACT socket 3/4 " 32mm L.100mm	4018754015863
25020034	56 IMP 34	IMPACT socket 3/4 " 34mm L.100mm	4018754015887
25020036	56 IMP 36	IMPACT socket 3/4 " 36mm L.100mm	4018754015894
25020041	56 IMP 41	IMPACT socket 3/4 " 41mm L.92mm	4018754233922
25020046	56 IMP 46	IMPACT socket 3/4 " 46mm L.92mm	4018754233939

## GTIN-Code.



## Accessories.



39023540  
IMPACT locking pin



39013650  
IMPACT rubber ring

**STAHLWILLE Eduard Wille GmbH & Co. KG**

Lindenallee 27 · 42349 Wuppertal · Germany · Phone: +49 202 4791-0 · Fax: +49 202 4791-200

info@stahlwille.de · www.stahlwille.com · Copyright by STAHLWILLE Eduard Wille GmbH & Co. KG, Wuppertal

Copyright by STAHLWILLE Eduard Wille GmbH & Co. KG, Wuppertal