

## IMPACT screwdriver sockets 1/2"

### 54IMP



Product no. **23050012**  
GTIN **4018754233847**  
Model **54 IMP 12**



**Label.** IMPACT screwdriver socket 1/2 " 12 mm L.40mm

**Features.**

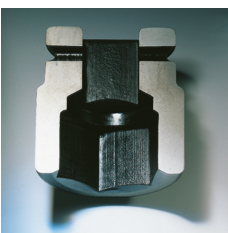
- for hex socket bolts
- 1/2" internal square drive
- Chrome Alloy Steel, gunmetal finish

## Product highlights.



### Optimized functionality.

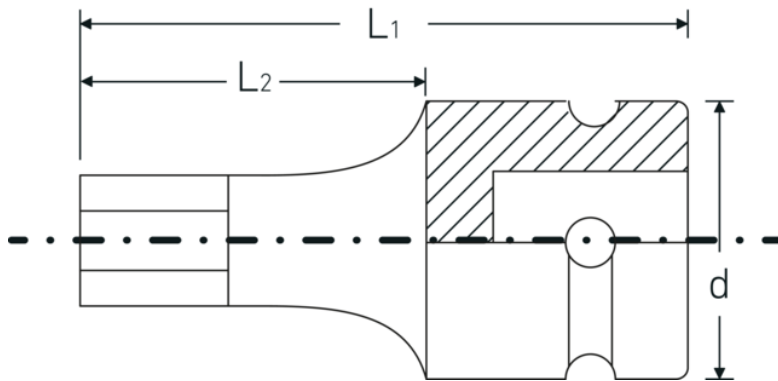
All IMPACT sockets have a through cross hole for the connecting pin and a deep groove for the rubber locking ring. The locking pin is not stressed during use.



### High fitting accuracy.

The high precision fit, achieved through tight tolerances, ensures optimal, backlash-free transmission of forces to the socket.

## Technical Drawing.



## Technical Attributes.

|                              |       |
|------------------------------|-------|
| Drive profile                | hex   |
| External hex drive (mm)      | 12 mm |
| Internal square drive (inch) | 1/2 " |
| d                            | 25 mm |
| L1                           | 40 mm |
| L2                           | 20 mm |

## Logistics data.

|                       |                           |
|-----------------------|---------------------------|
| Depth mm (IFS)        | 42                        |
| Width mm (IFS)        | 30                        |
| Height mm (IFS)       | 30                        |
| WEEE/ElektroG         | nicht ear-pflichtig       |
| Length (packed, mm)   | 110                       |
| Width (packed, mm)    | 60                        |
| Height (packed, mm)   | 31                        |
| Volume (packed, dm3)  | 0.2046 dm3                |
| Product no.           | 23050012                  |
| Weight (gross, kg)    | 0,330                     |
| Weight PAP (kg)       | 0,000                     |
| Weight PVC (kg)       | 0,003                     |
| GTIN                  | 4018754233847             |
| Country of origin AWR | TAIWAN, PROVINCE OF CHINA |
| Region of origin      | Ausländischer Ursprung    |
| Customs tariff no.    | 82042000                  |
| Packing standard      | 5                         |
| Weight                | 111 g                     |

## Variants.

| Product no. | Model no. (ERP) | Description                                 | GTIN          |
|-------------|-----------------|---|---------------|
| 23050005    | 54 IMP 5        | IMPACT screwdriver socket 1/2 " 5 mm L.40mm | 4018754233793 |
| 23050006    | 54 IMP 6        | IMPACT screwdriver socket 1/2 " 6 mm L.40mm | 4018754233809 |

|          |           |  |               |
|----------|-----------|--|---------------|
| 23050007 | 54 IMP 7  | IMPACT screwdriver socket 1/2 " 7 mm L.40mm  | 4018754233816 |
| 23050008 | 54 IMP 8  | IMPACT screwdriver socket 1/2 " 8 mm L.40mm  | 4018754233823 |
| 23050010 | 54 IMP 10 | IMPACT screwdriver socket 1/2 " 10 mm L.40mm | 4018754233830 |
| 23050012 | 54 IMP 12 | IMPACT screwdriver socket 1/2 " 12 mm L.40mm | 4018754233847 |
| 23050014 | 54 IMP 14 | IMPACT screwdriver socket 1/2 " 14 mm L.40mm | 4018754233854 |
| 23050017 | 54 IMP 17 | IMPACT screwdriver socket 1/2 " 17 mm L.40mm | 4018754233861 |
| 23050019 | 54 IMP 19 | IMPACT screwdriver socket 1/2 " 19 mm L.40mm | 4018754233878 |

## GTIN-Code.

