



## Adjustable open-ended spanner, metric

**4025**

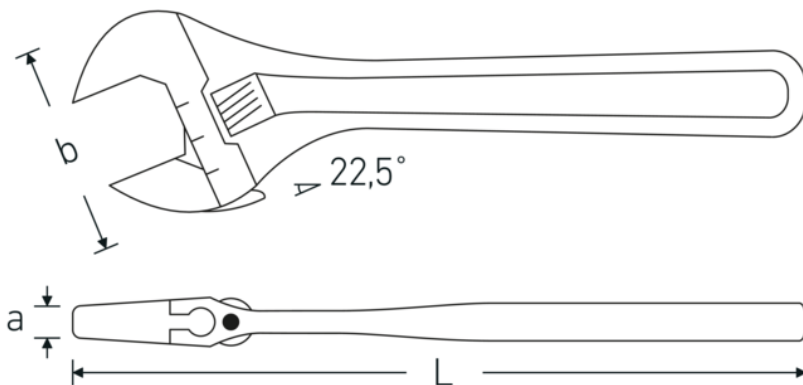


Product no. **40250112**  
GTIN **4018754299539**  
Model **4025 12**

**Label.** Adjustable open-ended spanner max.size 39mm L.311mm

- Features.**
- right-handed
  - DIN 3117/ISO 6787 (B shape)
  - ASME B107.100
  - jaw offset 22.5°
  - Chrome Vanadium, chrome plated

### Technical Drawing.



### Technical Attributes.

<b>a</b>	19 mm
<b>Width mm (b)</b>	84 mm
<b>DIN</b>	DIN 3117 / ISO 6787 Form B
<b>Size</b>	12

### Logistics data.

<b>Depth mm (IFS)</b>	310
<b>Width mm (IFS)</b>	82
<b>Height mm (IFS)</b>	19
<b>Length (packed, mm)</b>	320

<b>Length mm (L)</b>	311 mm	<b>Width (packed, mm)</b>	115
<b>Spanner size max.</b>	39 mm	<b>Height (packed, mm)</b>	55
		<b>Volume (packed, dm3)</b>	2.024 dm3
		<b>Product no.</b>	40250112
		<b>Weight (gross, kg)</b>	3,600
		<b>Weight PAP (kg)</b>	0,000
		<b>Weight PVC (kg)</b>	0,016
		<b>GTIN</b>	4018754299539
		<b>Country of origin AWR</b>	SPAIN
		<b>Region of origin</b>	Ausländischer Ursprung
		<b>WEEE/ElektroG</b>	nicht ear-pflichtig
		<b>Customs tariff no.</b>	82041200
		<b>Packing standard</b>	5
		<b>Weight</b>	805 g

## Variants.

Product no.	Model no. (ERP)	Description	GTIN
40250104	4025 4	Adjustable open-ended spanner max.size 13mm L.115mm	4018754299492
40250106	4025 6	Adjustable open-ended spanner max.size 24mm L.161mm	4018754299508
40250108	4025 8	Adjustable open-ended spanner max.size 30mm L.207mm	4018754299515
40250110	4025 10	Adjustable open-ended spanner max.size 34mm L.259mm	4018754299522
40250112	4025 12	Adjustable open-ended spanner max.size 39mm L.311mm	4018754299539
40250115	4025 15	Adjustable open-ended spanner max.size 44mm L.386mm	4018754299546
40250118	4025 18	Adjustable open-ended spanner max.size 53mm L.462mm	4018754299553

## GTIN-Code.





**STAHLWILLE Eduard Wille GmbH & Co. KG**

Lindenallee 27 · 42349 Wuppertal · Germany · Phone: +49 202 4791-0 · Fax: +49 202 4791-200  
info@stahlwille.de · www.stahlwille.com · Copyright by STAHLWILLE Eduard Wille GmbH & Co. KG, Wuppertal  
Copyright by STAHLWILLE Eduard Wille GmbH & Co. KG, Wuppertal