

4204

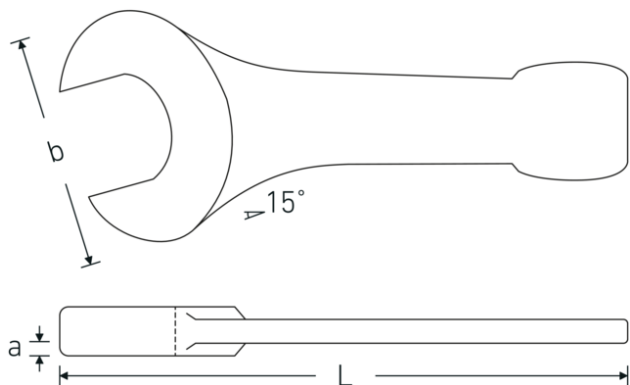
Art. no. **42040030**
 GTIN **4018754023660**
 Model **4204 30**

Label. Stl. 30mm L.190mm

Features.

- DIN 133
- specialstål, stålgrå

Technical Drawing.



Technical Attributes.

| | |
|----------------------|---------|
| a | 17 mm |
| Bredd mm (b) | 62 mm |
| DIN | DIN 133 |
| Längd mm (L) | 190 mm |
| Nyckelstorlek 1 [mm] | 30 mm |

Logistics data.

| | |
|-------------------------------------|--------------------------|
| Djup mm (IFS) | 187 |
| Bredd mm (IFS) | 62 |
| Höjd mm (IFS) | 18 |
| Längd (packad, mm) | 187 |
| Bredd (packad, mm) | 62 |
| Höjd (packad, mm) | 18 |
| Volym (förpackad, dm ³) | 0.208692 dm ³ |

| | |
|-----------------------------|---------------------|
| Art. no. | 42040030 |
| Vikt (brutto, kg) | 0,451 |
| Vikt PAP (kg) | 0,000 |
| Vikt PVC (kg) | 0,007 |
| GTIN | 4018754023660 |
| Ursprungsland AWR | GERMANY |
| Ursprungsregion | Nordrhein-Westfalen |
| WEEE/ElektroG | nicht ear-pflichtig |
| Tulltaxa nr. | 82041100 |
| Förpackningsstandard | 1 |
| Vikt (g) | 451 g |

Variants.

| Art. no. | Modell no. (ERP) | Beteckning | GTIN |
|----------|------------------|--------------------|---------------|
| 42040027 | 4204 27 | Stl. 27mm L.180mm | 4018754023653 |
| 42040030 | 4204 30 | Stl. 30mm L.190mm | 4018754023660 |
| 42040032 | 4204 32 | Stl. 32mm L.190mm | 4018754023677 |
| 42040036 | 4204 36 | Stl. 36mm L.215mm | 4018754023684 |
| 42040041 | 4204 41 | Stl. 41mm L.235mm | 4018754023691 |
| 42040046 | 4204 46 | Stl. 46mm L.255mm | 4018754023707 |
| 42040050 | 4204 50 | Stl. 50mm L.275mm | 4018754023714 |
| 42040055 | 4204 55 | Stl. 55mm L.300mm | 4018754023721 |
| 42040060 | 4204 60 | Stl. 60mm L.320mm | 4018754023738 |
| 42040065 | 4204 65 | Stl. 65mm L.342mm | 4018754023745 |
| 42040070 | 4204 70 | Stl. 70mm L.375mm | 4018754023752 |
| 42040075 | 4204 75 | Stl. 75mm L.375mm | 4018754023769 |
| 42040080 | 4204 80 | Stl. 80mm L.408mm | 4018754023776 |
| 42040085 | 4204 85 | Stl. 85mm L.408mm | 4018754023783 |
| 42040090 | 4204 90 | Stl. 90mm L.445mm | 4018754023790 |
| 42040095 | 4204 95 | Stl. 95mm L.445mm | 4018754023806 |
| 42040100 | 4204 100 | Stl. 100mm L.485mm | 4018754023813 |
| 42040105 | 4204 105 | Stl. 105mm L.485mm | 4018754023820 |

GTIN-Code.

