



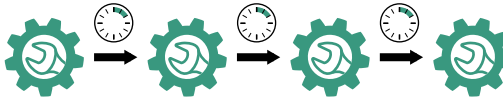
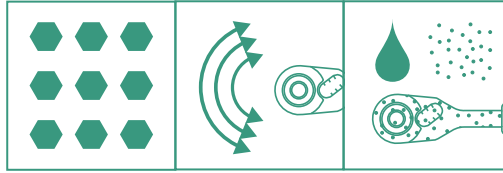
415QR N      435SG-QR N  
 415QRL N    452QR  
 415SGH N    512QR N  
 415SG-QR N   512SG-QR N  
 416QR        516QR  
 418QR        517QR  
 435QR N

Repair instructions

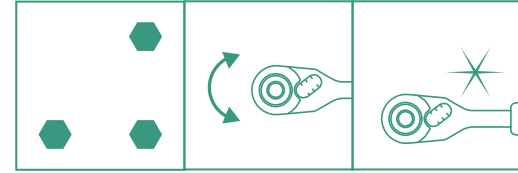
STAHlwILLE®

MADE IN CROENBERG  
 MADE IN GERMANY

## FREQUENT USE



## INFREQUENT USE

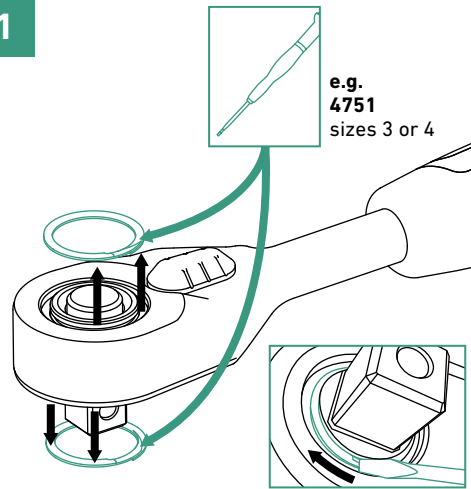


## SPARE PARTS

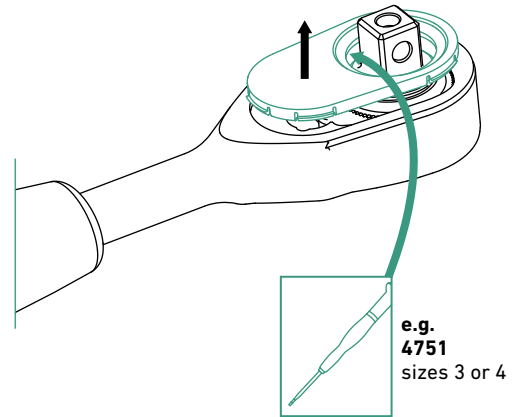
			NLGI-Class*
415QR N 415QRL N 415SG-QR N 416QR 418QR	1/4"	19012020	1
415SGH N	1/4"	19010013	1
435QR N 435SG-QR N 452QR	3/8"	19021020	1
512QR N 512SG-QR N 516QR 517QR	1/2"	19042020	1

\*ASTM D217, DIN 51818

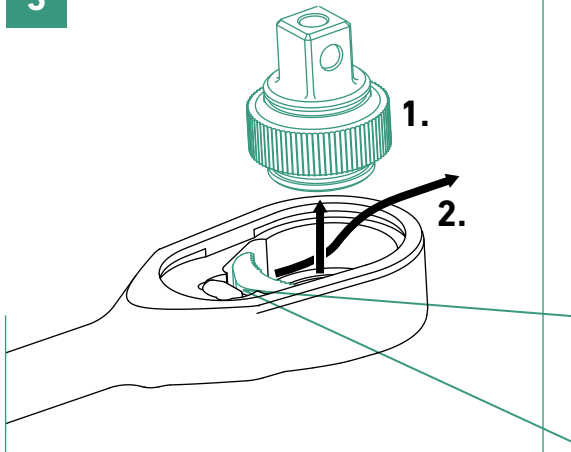
1



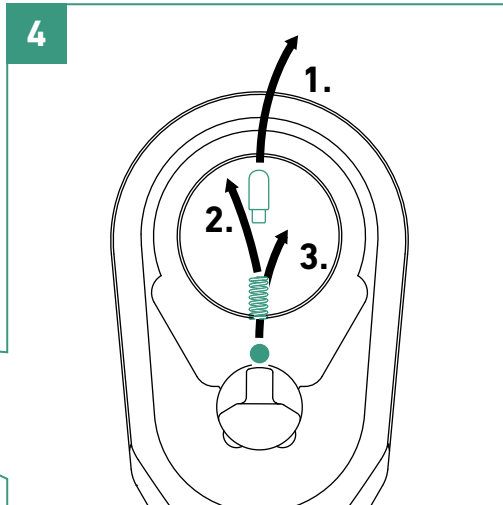
2



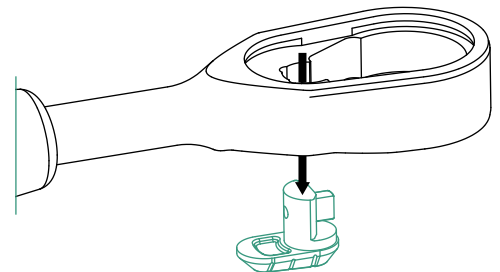
3



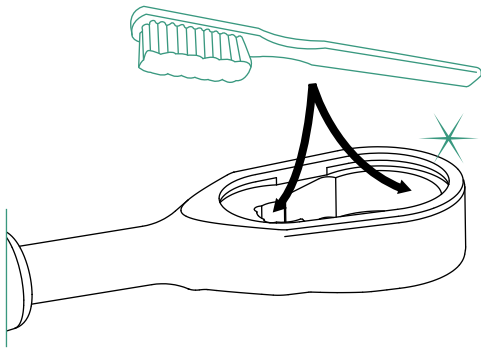
4



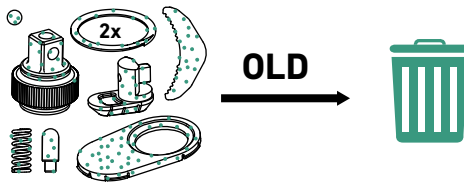
5



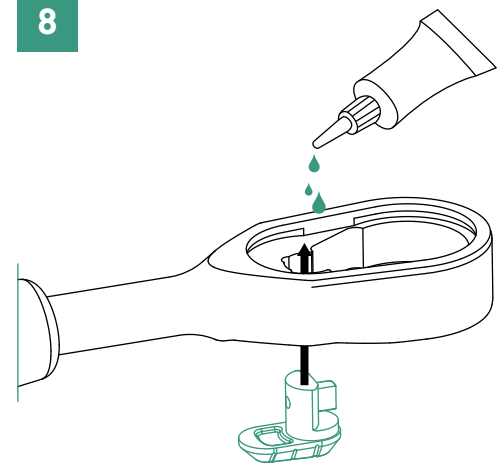
## 6 CLEAN



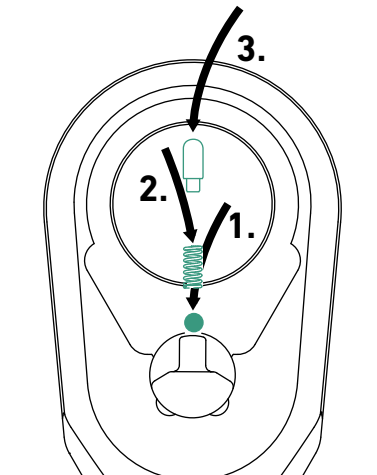
7



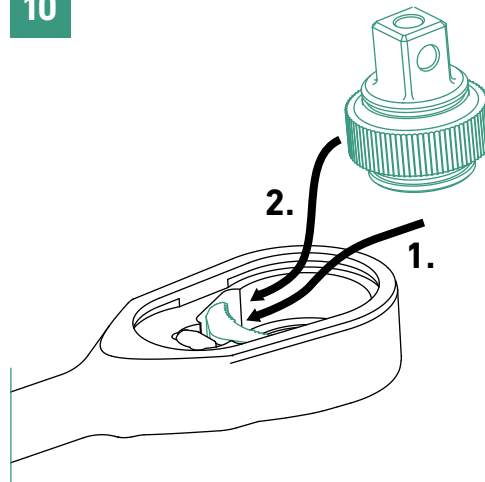
8



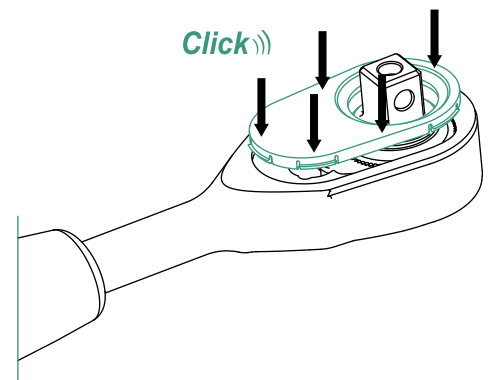
9



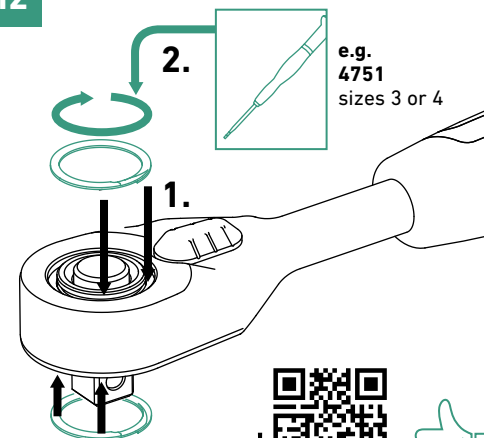
10



11



12



**TOOLS**  
... that inspire

STAHLWILLE Eduard Wille GmbH & Co. KG  
Lindenallee 27 · 42349 Wuppertal · Germany  
Tel.: +49 202 4791-0 · Fax: +49 202 4791-200  
info@stahlwille.de · www.stahlwille.com

© STAHLWILLE Eduard Wille GmbH & Co. KG // 20-02-23 DHF // V 2.0 // 91979798

