

IMPACT sockets 1/2"

51IMP



Product no. **23020013**
GTIN **4018754015139**
Model **51 IMP 13**



Label. IMPACT socket 1/2 " 13mm L.85mm

- Features.**
- long version
 - with hex
 - 1/2" internal square drive
 - Chrome Alloy Steel, gunmetal finish
 - DIN 3129 / ISO 1711-2

Product highlights.



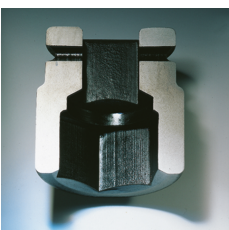
Powerful and resilient.

The sockets are made from high-quality Chrome Alloy Steel. They are hardened in oil to prevent stress and distortion.



Optimized functionality.

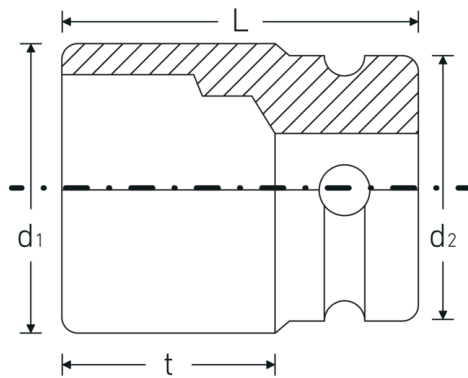
All IMPACT sockets have a through cross hole for the connecting pin and a deep groove for the rubber locking ring. The locking pin is not stressed during use.



High fitting accuracy.

The high precision fit, achieved through tight tolerances, ensures optimal, backlash-free transmission of forces to the socket.

Technical Drawing.



Technical Attributes.

| | |
|------------------------------|---------|
| Drive profile | hex |
| Internal square drive (inch) | 1/2 " |
| d1 | 20,8 mm |
| d2 | 25 mm |
| Length mm (L) | 85 mm |
| Width across flats [mm] | 13 mm |
| t | 68,5 mm |

Logistics data.

| | |
|-----------------------|---------------------|
| Depth mm (IFS) | 85 |
| Width mm (IFS) | 25 |
| Height mm (IFS) | 25 |
| WEEE/ElektroG | nicht ear-pflichtig |
| Length (packed, mm) | 126 |
| Width (packed, mm) | 26 |
| Height (packed, mm) | 86 |
| Volume (packed, dm3) | 0.281736 dm3 |
| Product no. | 23020013 |
| Weight (gross, kg) | 1,110 |
| Weight PAP (kg) | 0,000 |
| Weight PVC (kg) | 0,007 |
| GTIN | 4018754015139 |
| Country of origin AWR | GERMANY |
| Region of origin | Nordrhein-Westfalen |
| Customs tariff no. | 82042000 |
| Packing standard | 5 |
| Weight | 222 g |

Variants.

| Product no. | Model no. (ERP) | Description | GTIN |
|-------------|-----------------|---------------------------------|---------------|
| 23020013 | 51 IMP 13 | IMPACT socket 1/2 " 13mm L.85mm | 4018754015139 |
| 23020015 | 51 IMP 15 | IMPACT socket 1/2 " 15mm L.85mm | 4018754158126 |
| 23020016 | 51 IMP 16 | IMPACT socket 1/2 " 16mm L.85mm | 4018754015146 |

| | | | |
|----------|-----------|---------------------------------|---------------|
| 23020017 | 51 IMP 17 | IMPACT socket 1/2 " 17mm L.85mm | 4018754015153 |
| 23020018 | 51 IMP 18 | IMPACT socket 1/2 " 18mm L.85mm | 4018754015160 |
| 23020019 | 51 IMP 19 | IMPACT socket 1/2 " 19mm L.85mm | 4018754015177 |
| 23020021 | 51 IMP 21 | IMPACT socket 1/2 " 21mm L.85mm | 4018754015184 |
| 23020022 | 51 IMP 22 | IMPACT socket 1/2 " 22mm L.85mm | 4018754015191 |
| 23020024 | 51 IMP 24 | IMPACT socket 1/2 " 24mm L.85mm | 4018754015207 |
| 23020027 | 51 IMP 27 | IMPACT socket 1/2 " 27mm L.85mm | 4018754015214 |

GTIN-Code.

