



## Test attachment for torque screwdrivers

**7791-2**

Product no. **52110291**  
GTIN **4018754178360**  
Model **7791-2**

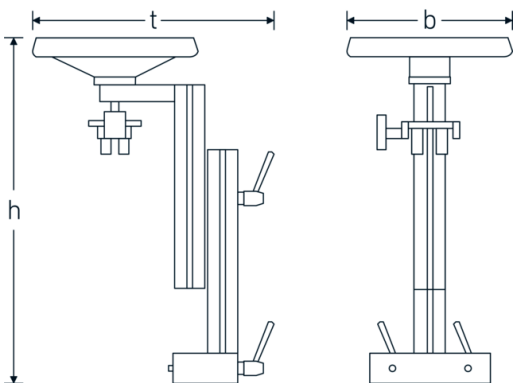
### Label.

Test attachment for torque screwdrivers N·m

### Features.

- can be bolted onto mechanical loader No 7791
- the torque screwdriver to be calibrated is inserted in the square mount of the transducer and fixed using the universal central clamp
- the handwheel ensures that the required force is applied in a controlled manner to the torque screwdriver

## Technical Drawing.



## Technical Attributes.

|               |            |
|---------------|------------|
| Width mm (b)  | 250 mm     |
| Height mm (h) | 442-593 mm |
| Length mm (L) | 440 mm     |
| t             | 351 mm     |

## Logistics data.

|                     |                     |
|---------------------|---------------------|
| Depth mm (IFS)      | 440                 |
| Width mm (IFS)      | 370                 |
| Height mm (IFS)     | 245                 |
| WEEE/ElektroG       | nicht ear-pflichtig |
| Length (packed, mm) | 600                 |

|                       |                     |
|-----------------------|---------------------|
| Width (packed, mm)    | 400                 |
| Height (packed, mm)   | 270                 |
| Volume (packed, dm3)  | 64.8 dm3            |
| Product no.           | 52110291            |
| Weight (gross, kg)    | 5,400               |
| Weight PAP (kg)       | 0,250               |
| Weight PVC (kg)       | 0,000               |
| GTIN                  | 4018754178360       |
| Country of origin AWR | GERMANY             |
| Region of origin      | Nordrhein-Westfalen |
| Customs tariff no.    | 90319000            |
| Packing standard      | 1                   |
| Weight                | 3739 g              |

## Variants.

| Product no. | Model no. (ERP) | Description                                 | GTIN          |
|-------------|-----------------|---|---------------|
| 52110291    | 7791-2          | Test attachment for torque screwdrivers N·m | 4018754178360 |

## GTIN-Code.



### STAHLWILLE Eduard Wille GmbH & Co. KG

Lindenallee 27 · 42349 Wuppertal · Germany · Phone: +49 202 4791-0 · Fax: +49 202 4791-200  
info@stahlwille.de · www.stahlwille.com · Copyright by STAHLWILLE Eduard Wille GmbH & Co. KG, Wuppertal  
Copyright by STAHLWILLE Eduard Wille GmbH & Co. KG, Wuppertal