



Test attachment for torque screwdrivers

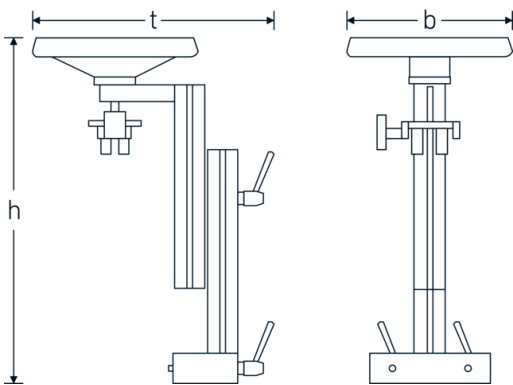
7791-2

Product no. **52110291**
GTIN **4018754178360**
Model **7791-2**

Label.

Test attachment for torque screwdrivers N·m

Technical Drawing.



Technical Attributes.

Width mm (b)	250 mm
Height mm (h)	442-593 mm
Length mm (L)	440 mm
t	351 mm

Logistics data.

Depth mm (IFS)	440
Width mm (IFS)	370
Height mm (IFS)	245
WEEE/ElektroG	nicht ear-pflichtig
Length (packed, mm)	600
Width (packed, mm)	400
Height (packed, mm)	270
Volume (packed, dm ³)	64.8 dm ³
Product no.	52110291

Weight (gross, kg)	5,400
Weight PAP (kg)	0,250
Weight PVC (kg)	0,000
GTIN	4018754178360
Country of origin AWR	GERMANY
Region of origin	Nordrhein-Westfalen
Customs tariff no.	90319000
Packing standard	1
Weight	3739 g

Variants.

Product no.	Model no. (ERP)	Description	GTIN
52110291	7791-2	Test attachment for torque screwdrivers N-m	4018754178360

GTIN-Code.

