

IMPACT sockets 3/4"

2509



Product no. **25090027**
GTIN **4018754015900**
Model **2509 27**



Label. IMPACT socket 3/4 " 27mm L.100mm

- Features.**
- long version, with reduced diameter
 - with hex
 - 3/4" internal square drive
 - for bolted joints of e.g. TRILEX® wheels
 - Chrome Alloy Steel, gunmetal finish
 - DIN 3129 / ISO 1711-2

Product highlights.



Powerful and resilient.

The sockets are made from high-quality Chrome Alloy Steel. They are hardened in oil to prevent stress and distortion.



Optimised functionality.

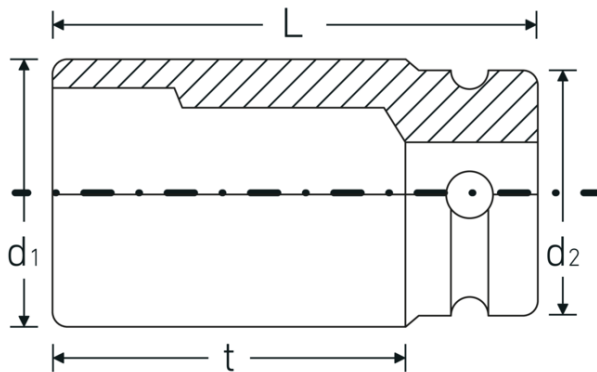
All IMPACT sockets have a through cross hole for the connecting pin and a deep groove for the rubber locking ring. The locking pin is not stressed during use.



High fitting accuracy.

The high fitting accuracy due to tight tolerances guarantees optimum, backlash-free transmission of forces to the socket.

Technical Drawing.



Technical Attributes.

Drive profile	hex
Internal square drive (inch)	3/4 "
d1	40,5 mm
d2	44 mm
Length mm (L)	100 mm
Spanner size [mm]	27 mm
t	72,5 mm

Logistics data.

Depth mm (IFS)	100
Width mm (IFS)	45
Height mm (IFS)	45
Length (packed, mm)	110
Width (packed, mm)	80
Height (packed, mm)	55
Volume (packed, dm ³)	0.484 dm ³
Product no.	25090027
Weight (gross, kg)	1,344
Weight PAP (kg)	0,000
Weight PVC (kg)	0,008
GTIN	4018754015900
Country of origin AWR	GERMANY
Region of origin	Nordrhein-Westfalen
WEEE/ElektroG	nicht ear-pflichtig
Customs tariff no.	82042000
Packing standard	2
Weight	672 g

Variants.

Product no.	Model no. (ERP)	Description	GTIN
25090027	2509 27	IMPACT socket 3/4 " 27mm L.100mm	4018754015900
25090030	2509 30	IMPACT socket 3/4 " 30mm L.100mm	4018754015917
25090032	2509 32	IMPACT socket 3/4 " 32mm L.100mm	4018754015924

25090033

2509 33

IMPACT socket 3/4 " 33mm L.100mm

4018754015931

GTIN-Code.



Accessories.



39023540
Connecting pin



39013650
Rubber ring

STAHLWILLE Eduard Wille GmbH & Co. KG

Lindenallee 27 · 42349 Wuppertal · Germany · Phone: +49 202 4791-0 · Fax: +49 202 4791-200

info@stahlwille.de · www.stahlwille.com · Copyright by STAHLWILLE Eduard Wille GmbH & Co. KG, Wuppertal

Copyright by STAHLWILLE Eduard Wille GmbH & Co. KG, Wuppertal