

IMPACT socket

2609



Product no. **26090030**
GTIN **4018754016501**
Model **2609 30**



Label. IMPACT socket 1 " 30mm L.110mm

- Features.**
- long version, with reduced diameter
 - with hex
 - 1" internal square drive
 - for wheel nuts
 - Chrome Alloy Steel, gunmetal finish
 - DIN 3129 / ISO 1711-2

Advantages.

1" internal square drive.

Product highlights.



Powerful and resilient.

The sockets are made from high-quality Chrome Alloy Steel. They are hardened in oil to prevent stress and distortion.



Optimized functionality.

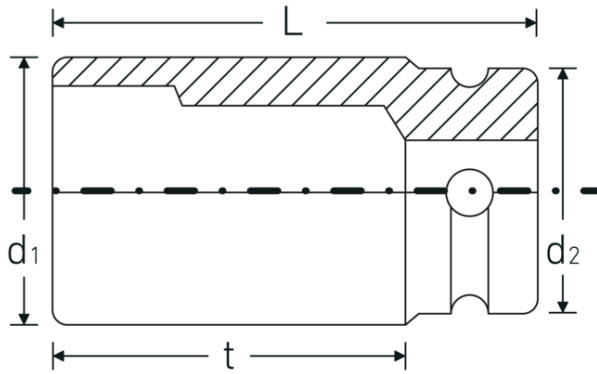
All IMPACT sockets have a through cross hole for the connecting pin and a deep groove for the rubber locking ring. The locking pin is not stressed during use.



High fitting accuracy.

The high precision fit, achieved through tight tolerances, ensures optimal, backlash-free transmission of forces to the socket.

Technical Drawing.



Technical Attributes.

Drive profile	hex
Internal square drive (inch)	1 "
d1	46 mm
d2	54 mm
Length mm (L)	110 mm
Width across flats [mm]	30 mm
t	79,5 mm

Logistics data.

Depth mm (IFS)	110
Width mm (IFS)	55
Height mm (IFS)	55
Length (packed, mm)	254
Width (packed, mm)	57
Height (packed, mm)	55
Volume (packed, dm3)	0.79629 dm3
Product no.	26090030
Weight (gross, kg)	2,094
Weight PAP (kg)	0,000
Weight PVC (kg)	0,008
GTIN	4018754016501
Country of origin AWR	GERMANY
Region of origin	Nordrhein-Westfalen
WEEE/ElektroG	nicht ear-pflichtig
Customs tariff no.	82042000
Packing standard	2
Weight	1047 g

Variants.

Product no.	Model no. (ERP)	Description	GTIN
26090027	2609 27	IMPACT socket 1 " 27mm L.110mm	4018754016495
26090030	2609 30	IMPACT socket 1 " 30mm L.110mm	4018754016501
26090032	2609 32	IMPACT socket 1 " 32mm L.110mm	4018754016518
26090033	2609 33	IMPACT socket 1 " 33mm L.110mm	4018754016525

GTIN-Code.

