

IMPACT sockets 1"

66IMP



Product no. **26020033**
GTIN **4018754016440**
Model **66 IMP 33**



Label. IMPACT socket 1 " 33mm L.110mm

- Features.**
- long version
 - with hex
 - 1" internal square drive
 - Chrome Alloy Steel, gunmetal finish
 - DIN 3129 / ISO 1711-2

Product highlights.



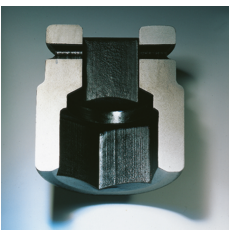
Powerful and resilient.

The sockets are made from high-quality Chrome Alloy Steel. They are hardened in oil to prevent stress and distortion.



Optimised functionality.

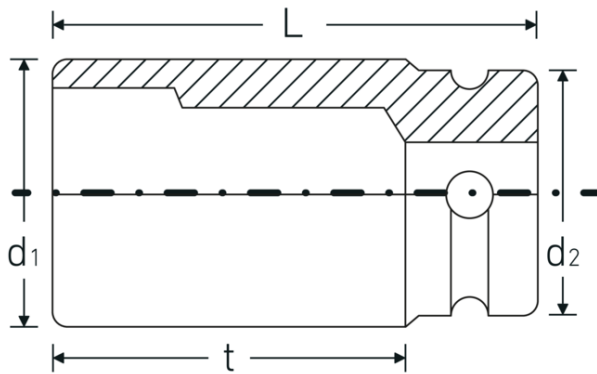
All IMPACT sockets have a through cross hole for the connecting pin and a deep groove for the rubber locking ring. The locking pin is not stressed during use.



High fitting accuracy.

The high fitting accuracy due to tight tolerances guarantees optimum, backlash-free transmission of forces to the socket.

Technical Drawing.



Technical Attributes.

| | |
|------------------------------|---------|
| Drive profile | hex |
| Internal square drive (inch) | 1 " |
| d1 | 52,5 mm |
| d2 | 54 mm |
| Length mm (L) | 110 mm |
| Spanner size [mm] | 33 mm |
| t | 78,5 mm |

Logistics data.

| | |
|-----------------------|---------------------|
| Depth mm (IFS) | 110 |
| Width mm (IFS) | 55 |
| Height mm (IFS) | 55 |
| Length (packed, mm) | 111 |
| Width (packed, mm) | 111 |
| Height (packed, mm) | 56 |
| Volume (packed, dm3) | 0.689976 dm3 |
| Product no. | 26020033 |
| Weight (gross, kg) | 2,548 |
| Weight PAP (kg) | 0,000 |
| Weight PVC (kg) | 0,010 |
| GTIN | 4018754016440 |
| Country of origin AWR | GERMANY |
| Region of origin | Nordrhein-Westfalen |
| WEEE/ElektroG | nicht ear-pflichtig |
| Customs tariff no. | 82042000 |
| Packing standard | 2 |
| Weight | 1274 g |

Variants.

| Product no. | Model no. (ERP) | Description | GTIN |
|-------------|-----------------|--------------------------------|---------------|
| 26020024 | 66 IMP 24 | IMPACT socket 1 " 24mm L.110mm | 4018754016402 |
| 26020027 | 66 IMP 27 | IMPACT socket 1 " 27mm L.110mm | 4018754016419 |
| 26020030 | 66 IMP 30 | IMPACT socket 1 " 30mm L.110mm | 4018754016426 |

| | | | |
|----------|-----------|--------------------------------|---------------|
| 26020032 | 66 IMP 32 | IMPACT socket 1 " 32mm L.110mm | 4018754016433 |
| 26020033 | 66 IMP 33 | IMPACT socket 1 " 33mm L.110mm | 4018754016440 |
| 26020036 | 66 IMP 36 | IMPACT socket 1 " 36mm L.110mm | 4018754016457 |
| 26020038 | 66 IMP 38 | IMPACT socket 1 " 38mm L.110mm | 4018754016464 |
| 26020041 | 66 IMP 41 | IMPACT socket 1 " 41mm L.110mm | 4018754016471 |
| 26020046 | 66 IMP 46 | IMPACT socket 1 " 46mm L.110mm | 4018754016488 |

GTIN-Code.



STAHLWILLE Eduard Wille GmbH & Co. KG

Lindenallee 27 · 42349 Wuppertal · Germany · Phone: +49 202 4791-0 · Fax: +49 202 4791-200

info@stahlwille.de · www.stahlwille.com · Copyright by STAHLWILLE Eduard Wille GmbH & Co. KG, Wuppertal

Copyright by STAHLWILLE Eduard Wille GmbH & Co. KG, Wuppertal