

## IMPACT socket

### 51IMP



Product no. **23020027**  
GTIN **4018754015214**  
Model **51 IMP 27**



**Label.** IMPACT socket 1/2 " 27mm L.85mm

- Features.**
- long version
  - with hex
  - 1/2" internal square drive
  - Chrome Alloy Steel, gunmetal finish
  - DIN 3129 / ISO 1711-2

## Advantages.

1/2" internal square drive.

## Product highlights.



### Powerful and resilient.

The sockets are made from high-quality Chrome Alloy Steel. They are hardened in oil to prevent stress and distortion.



### Optimized functionality.

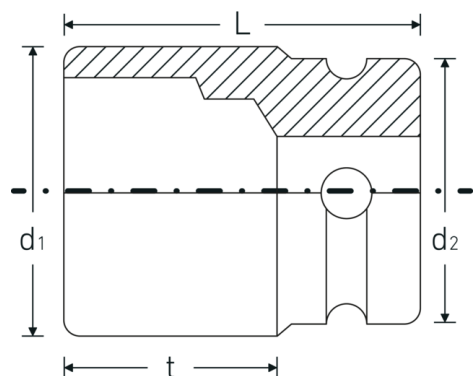
All IMPACT sockets have a through cross hole for the connecting pin and a deep groove for the rubber locking ring. The locking pin is not stressed during use.



### High fitting accuracy.

The high precision fit, achieved through tight tolerances, ensures optimal, backlash-free transmission of forces to the socket.

## Technical Drawing.



## Technical Attributes.

Drive profile	hex
Internal square drive (inch)	1/2 "
d1	38,8 mm
d2	30 mm
Length mm (L)	85 mm
Width across flats [mm]	27 mm
t	65 mm

## Logistics data.

Depth mm (IFS)	85
Width mm (IFS)	39
Height mm (IFS)	39
Length (packed, mm)	196
Width (packed, mm)	40
Height (packed, mm)	86
Volume (packed, dm <sup>3</sup> )	0.67424 dm <sup>3</sup>
Product no.	23020027
Weight (gross, kg)	1,925
Weight PAP (kg)	0,000
Weight PVC (kg)	0,009
GTIN	4018754015214
Country of origin AWR	GERMANY
Region of origin	Nordrhein-Westfalen
WEEE/ElektroG	nicht ear-pflichtig
Customs tariff no.	82042000
Packing standard	5
Weight	385 g

## Variants.

Product no.	Model no. (ERP)	Description	GTIN
23020013	51 IMP 13	IMPACT socket 1/2 " 13mm L.85mm	4018754015139
23020015	51 IMP 15	IMPACT socket 1/2 " 15mm L.85mm	4018754158126
23020016	51 IMP 16	IMPACT socket 1/2 " 16mm L.85mm	4018754015146
23020017	51 IMP 17	IMPACT socket 1/2 " 17mm L.85mm	4018754015153
23020018	51 IMP 18	IMPACT socket 1/2 " 18mm L.85mm	4018754015160
23020019	51 IMP 19	IMPACT socket 1/2 " 19mm L.85mm	4018754015177
23020021	51 IMP 21	IMPACT socket 1/2 " 21mm L.85mm	4018754015184
23020022	51 IMP 22	IMPACT socket 1/2 " 22mm L.85mm	4018754015191
23020024	51 IMP 24	IMPACT socket 1/2 " 24mm L.85mm	4018754015207
23020027	51 IMP 27	IMPACT socket 1/2 " 27mm L.85mm	4018754015214

## GTIN-Code.

