



Tool trolley 93

93/6

Product no. **81200154**
GTIN **4018754327508**
Model **93/6 A**

Label. Tool trolley 93/6 6 Drawers 481 x 877 x 1000 mm anthracite, RAL 7016; black, RAL 9007

Features.

- **two-stage safety concept:**
 1. central locking through cylinder lock with hinged key
 2. topple proof – it is not possible to pull out several drawers at the same time
- 2 handles
- all-round impact protection
- durable plastic tray made of ABS with compartments for small parts
- oil- and acid-resistant smooth-running wheels (D.125 mm) with thread guards to protect the bearings from dirt and threads, with two locking brakes
- hole pattern on both sides for hooks No. 8031-8041, e.g. for larger tools
- can be fitted with STAHLWILLE standard and TCS inserts
- 6 easily removable drawers (black, RAL 9005) with full extension (370 mm) and ball bearing cage guide
- with paper roll holder
- can be fitted with STAHLWILLE TCS inserts (per drawer 1 x 3/3)

Advantages.

Two-stage safety concept: 1. Central lock by cylinder lock with folding key 2. Tilt protection – it is not possible to pull out several drawers at the same time

Oil- and acid-resistant lightweight wheels (125 mm) with thread guards protect the bearings from dirt and threads, with two parking brakes.

High static load capacity of up to 500 kg - the bottom drawer has a load capacity of up to 45 kg.

2 handles, all-round impact protection and a hard-wearing plastic shelf made of ABS with practical compartments for small parts.

Central locking by cylinder lock with folding key, the anti-tilt device prevents several drawers from being pulled out at the same time.

Product highlights.



High load capacity.

High static load capacity of up to 500 kg. The bottom drawer has a load capacity of up to 45 kg!



Two-stage safety concept.

The central locking system with side cylinder lock and folding key protects the tool from unauthorised access. The tilt protection prevents multiple drawers from being pulled out at the same time to avoid the risk of injury or damage.



Durable wheels.

Oil and acid resistant smooth-running wheels (Ø 125 mm) with carpet protection to protect the bearings from dirt and fibres; with two locking brakes.



Optimally organised.

All drawers can be extended up to 100%. Combining the use of STAHLWILLE standard and TCS inserts, or the variable drawer dividers, ensures a clear overview and convenient access to tools.

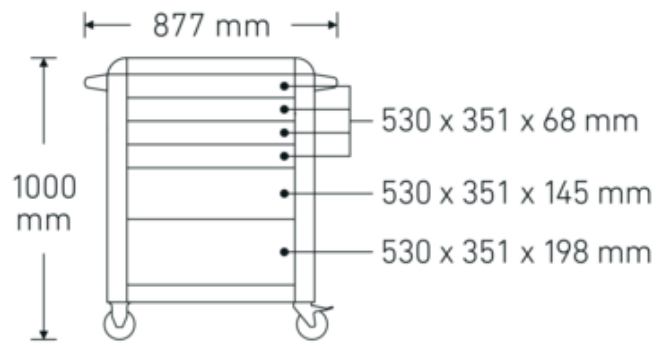
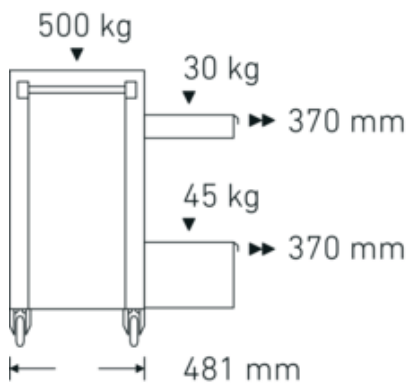
Technologies and features.



Tool Control System

The intelligent modular insert system protects and organises the tools in tool boxes, workshop trolleys and workshop benches. Two-colour foam inlays make checking the completeness of the tools quick and easy.

Technical Drawing.



Technical Attributes.

Number of drawers	6
Width mm (b)	877 mm
Colour	anthracite, RAL 7016; black, RAL 9007
Colour abbreviation	RAL 7016; RAL 9005
Height mm (h)	1000 mm
Length mm (L)	481 mm
Model no.	93/6 A
Internal drawer dimensions mm	351 x 530 x 68 mm (4x) 351 x 530 x 145 mm (1x) 351 x 530 x 198 mm (1x)
Drawer load capacity	30 kg 30 kg 45 kg
Load capacity	500 kg

Logistics data.

Depth mm (IFS)	750
Width mm (IFS)	480
Height mm (IFS)	840
Length (packed, mm)	825
Width (packed, mm)	562
Height (packed, mm)	910
Volume (packed, dm ³)	421.9215 dm ³
Product no.	81200154
Weight (gross, kg)	64,000
Weight PAP (kg)	3,000
Weight PVC (kg)	0,000
GTIN	4018754327508
Country of origin AWR	CHINA
Region of origin	Ausländischer Ursprung
WEEE/ElektroG	nicht ear-pflichtig
Customs tariff no.	94032080
Packing standard	1
Weight	57000 g

Variants.

Product no.	Model no. (ERP)	Description	GTIN
81200154	93/6 A	Tool trolley 93/6 6 Drawers 481 x 877 x 1000 mm anthracite, RAL 7016; black, RAL 9007	4018754327508

81200155	93/6 R	Tool trolley 93/6 6 Drawers 481 x 877 x 1000 mm red, RAL 3020; black RAL 9005	4018754333080
81200156	93/6 B	Tool trolley 93/6 6 Drawers 481 x 877 x 1000 mm blue, RAL 2703035	4018754333097

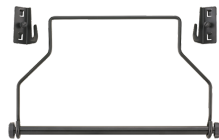
GTIN-Code.



Accessories.



90432727
Spray-can holder



81483004
Paper roll holder



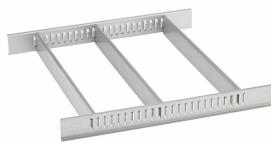
89010040
Cable holder



83812070
Empty tray for small components



81484001
Drawer separator



81484002
Drawer divider



81200157
Tool box



89010042
Laptop holder adaptor



90432802
Protective cover

Spare parts/spare part for.



90432658
Handle



90432644
Handle



81490001
Set of wheels

Images.



STAHLWILLE Eduard Wille GmbH & Co. KG

Lindenallee 27 · 42349 Wuppertal · Germany · Phone: +49 202 4791-0 · Fax: +49 202 4791-200
info@stahlwille.de · www.stahlwille.com · Copyright by STAHLWILLE Eduard Wille GmbH & Co. KG, Wuppertal
Copyright by STAHLWILLE Eduard Wille GmbH & Co. KG, Wuppertal