



IMPACT socket

56IMP

Product no. **25020019**
GTIN **4018754233915**
Model **56 IMP 19**



Label. IMPACT socket 3/4 " 19mm L.90mm

- Features.**
- long version
 - with hex
 - 3/4" internal square drive
 - Chrome Alloy Steel, gunmetal finish
 - DIN 3129 / ISO 1711-2

Advantages.

3/4" internal square drive.

Product highlights.



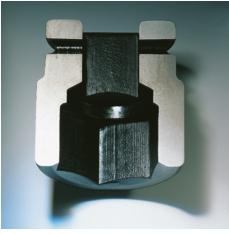
Powerful and resilient.

The sockets are made from high-quality Chrome Alloy Steel. They are hardened in oil to prevent stress and distortion.



Optimized functionality.

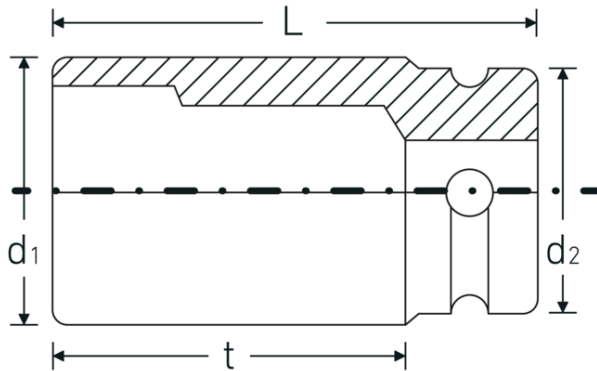
All IMPACT sockets have a through cross hole for the connecting pin and a deep groove for the rubber locking ring. The locking pin is not stressed during use.



High fitting accuracy.

The high precision fit, achieved through tight tolerances, ensures optimal, backlash-free transmission of forces to the socket.

Technical Drawing.



Technical Attributes.

Drive profile	hex
Internal square drive (inch)	3/4 "
d1	30 mm
d2	38 mm
Length mm (L)	90 mm
Width across flats [mm]	19 mm
t	75 mm

Logistics data.

Depth mm (IFS)	100
Width mm (IFS)	44
Height mm (IFS)	4
Length (packed, mm)	110
Width (packed, mm)	89
Height (packed, mm)	45
Volume (packed, dm ³)	0.44055 dm ³
Product no.	25020019
Weight (gross, kg)	0,820
Weight PAP (kg)	0,000
Weight PVC (kg)	0,006
GTIN	4018754233915
Country of origin AWR	TAIWAN, PROVINCE OF CHINA
Region of origin	Ausländischer Ursprung
WEEE/ElektroG	nicht ear-pflichtig
Customs tariff no.	82042000
Packing standard	2
Weight	780 g

Variants.

Product no.	Model no. (ERP)	Description	GTIN
25020017	56 IMP 17	IMPACT socket 3/4 " 17mm L.90mm	4018754233908
25020019	56 IMP 19	IMPACT socket 3/4 " 19mm L.90mm	4018754233915
25020021	56 IMP 21	IMPACT socket 3/4 " 21mm L.100mm	4018754015801
25020022	56 IMP 22	IMPACT socket 3/4 " 22mm L.100mm	4018754015818
25020024	56 IMP 24	IMPACT socket 3/4 " 24mm L.100mm	4018754015825
25020027	56 IMP 27	IMPACT socket 3/4 " 27mm L.100mm	4018754015832
25020030	56 IMP 30	IMPACT socket 3/4 " 30mm L.100mm	4018754015856
25020032	56 IMP 32	IMPACT socket 3/4 " 32mm L.100mm	4018754015863
25020034	56 IMP 34	IMPACT socket 3/4 " 34mm L.100mm	4018754015887
25020036	56 IMP 36	IMPACT socket 3/4 " 36mm L.100mm	4018754015894
25020041	56 IMP 41	IMPACT socket 3/4 " 41mm L.92mm	4018754233922
25020046	56 IMP 46	IMPACT socket 3/4 " 46mm L.92mm	4018754233939

GTIN-Code.



Accessories.



39023540
Connecting pin



39013650
Rubber ring

