



Puller

11501

Product no. **71050103**
GTIN **4018754342280**
Model **11501/3 Abziehvorrichtung zu
Trennvorr.**

Label.

Puller

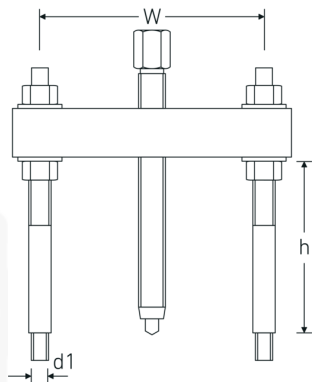
Product highlights.



For increased safety.

Thoughtfully designed, die-forged and precisely machined, hardened and tempered on state-of-the-art machines - the STAHLWILLE puller range offers numerous products for a wide range of applications. For example, terminal pullers, pullers for ball joints, counter stays or ball joint extractors - always in premium quality.

Technical Drawing.



Technical Attributes.

External hex drive (mm)	22 mm
Connection thread	M14 x 1,5
for model	11500/3
Size	3
Clamping range	70-215 mm
Clamping depth mm	195 mm
Spindle thread size	G1/2 x 210

Logistics data.

Depth mm (IFS)	430
Width mm (IFS)	310
Height mm (IFS)	110
Length (packed, mm)	430
Width (packed, mm)	310
Height (packed, mm)	110
Volume (packed, dm3)	14.663 dm3
Product no.	71050103
Weight (gross, kg)	3,784
Weight PAP (kg)	0,026
Weight PVC (kg)	0,000
GTIN	4018754342280
Country of origin AWR	GERMANY
Region of origin	Nordrhein-Westfalen
WEEE/ElektroG	nicht ear-pflichtig
Customs tariff no.	82055980
Packing standard	1
Weight	3400 g

Variants.

Product no.	Model no. (ERP)	Description	GTIN
71050101	11501/1 Abziehvorrichtung zu Trennvorr.	Puller	4018754342266
71050102	11501/2 Abziehvorrichtung zu Trennvorr.	Puller	4018754342273
71050103	11501/3 Abziehvorrichtung zu Trennvorr.	Puller	4018754342280
71050104	11501/4 Abziehvorrichtung zu Trennvorr.	Puller	4018754342297

GTIN-Code.



Accessories.



71050018
Disconnector



71050203
Extension

Images.

