



Separation assembly

11500

Product no. **71050018**
GTIN **4018754342242**
Model **11500/3 Trennvorrichtung zu
Abziehvorr.**

Label.

Disconnecter

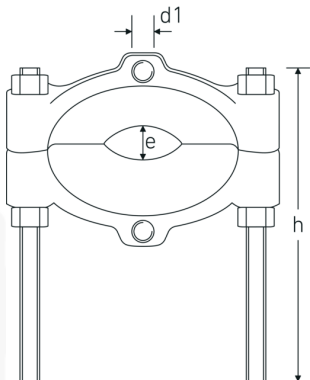
Product highlights.



For increased safety.

Thoughtfully designed, die-forged and precisely machined, hardened and tempered on state-of-the-art machines - the STAHLWILLE puller range offers numerous products for a wide range of applications. For example, terminal pullers, pullers for ball joints, counter stays or ball joint extractors - always in premium quality.

Technical Drawing.



Technical Attributes.

| | |
|-----------------------------------|-----------|
| for threads | M14 x 1,5 |
| for model | 11501/3 |
| Size | 3 |
| Height mm (h) | 0 mm |
| Spreading range (e) min./ max. | 22-115 mm |

Logistics data.

| | |
|-----------------------|---------------------|
| Depth mm (IFS) | 212 |
| Width mm (IFS) | 165 |
| Height mm (IFS) | 28 |
| Length (packed, mm) | 248 |
| Width (packed, mm) | 170 |
| Height (packed, mm) | 33 |
| Volume (packed, dm3) | 1.39128 dm3 |
| Product no. | 71050018 |
| Weight (gross, kg) | 2,292 |
| Weight PAP (kg) | 0,056 |
| Weight PVC (kg) | 0,000 |
| GTIN | 4018754342242 |
| Country of origin AWR | GERMANY |
| Region of origin | Nordrhein-Westfalen |
| WEEE/ElektroG | nicht ear-pflichtig |
| Customs tariff no. | 82055980 |
| Packing standard | 1 |
| Weight | 2400 g |

Variants.

| Product no. | Model no. (ERP) | Description | GTIN |
|-------------|---|--------------|---------------|
| 71050016 | 11500/1 Trennvorrichtung zu Abziehvorr. | Disconnecter | 4018754342228 |
| 71050017 | 11500/2 Trennvorrichtung zu Abziehvorr. | Disconnecter | 4018754342235 |
| 71050018 | 11500/3 Trennvorrichtung zu Abziehvorr. | Disconnecter | 4018754342242 |
| 71050019 | 11500/4 Trennvorrichtung zu Abziehvorr. | Disconnecter | 4018754342259 |

GTIN-Code.



Accessories.



71050103
Puller

Images.

