



## Tool trolley 95 PRO

### 95/7 PRO

Product no.	81200163
GTIN	4018754334667
Model	95/7 A PRO

#### Label.

Tool trolley 95/7 PRO 7 Drawers 496 x 827 x 1020 mm anthracite, RAL 7016; black, RAL 9008

#### Features.

- **three-stage safety concept:**
  1. central locking with a lateral cylinder lock and hinged key
  2. individual locks prevent inadvertent opening while in transit
  3. topple proof – it is not possible to pull out several drawers at the same time.
- stainless steel handle with reinforced frame connection
- all-round frame protection with shock absorption
- tightly welded, resilient work surface, storage area, and end panel made of stainless steel
- oil and acid-resistant ball-bearing smooth-running wheels (125 mm diameter) with thread guards to protect the bearings from dirt and threads, with two locking brakes
- paper roller and spray can holder included
- 7 easy-to-remove drawers (black RAL 9005) with full-extension runners and bearing cage guide
- hole pattern on both sides for hooks No. 8031-8041, e.g., for larger tools
- can be fitted with STAHLWILLE standard and TCS inserts

## Advantages.

Three-stage safety concept: 1. Central locking by side cylinder lock with folding key 2. Individual locks prevent inadvertent opening while in transit 3. Tilt protection – it is not possible to pull out several drawers at the same time



## Product highlights.



### Durable wheels.

Oil and acid resistant smooth-running wheels (Ø 125 mm) with carpet protection to protect the bearings from dirt and fibres; with two locking brakes.



### Optimally organised.

All drawers can be extended up to 100%. Combining the use of STAHLWILLE standard and TCS inserts, or the variable drawer dividers, ensures a clear overview and convenient access to tools.

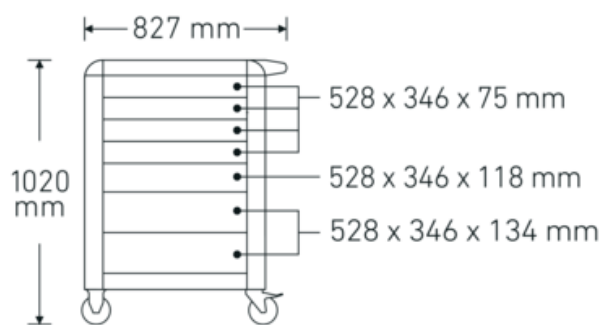
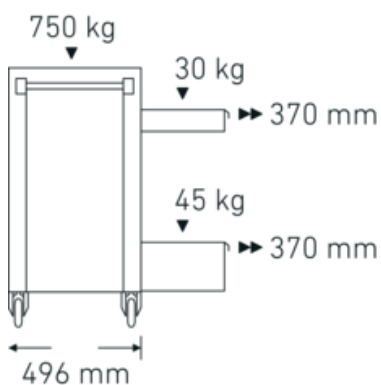
## Technologies and features.



### Tool Control System

The intelligent modular insert system protects and organises the tools in tool boxes, workshop trolleys and workshop benches. Two-colour foam inlays make checking the completeness of the tools quick and easy.

## Technical Drawing.



## Technical Attributes.

Number of drawers	7
Width mm (b)	827 mm
Colour	anthracite, RAL 7016; black, RAL 9008
Colour abbreviation	RAL 7016; RAL 9005

## Logistics data.

Depth mm (IFS)	720
Width mm (IFS)	496
Height mm (IFS)	863
Length (packed, mm)	836
Width (packed, mm)	587

<b>Height mm (h)</b>	1020 mm	<b>Height (packed, mm)</b>	940
<b>Length mm (L)</b>	496 mm	<b>Volume (packed, dm3)</b>	461.28808 dm3
<b>Model no.</b>	95/7 A PRO	<b>Product no.</b>	81200163
<b>Internal drawer dimensions mm</b>	346 x 528 x 75 mm (4x) 346 x 528 x 118 mm (2x) 346 x 528 x 134 mm (1x)	<b>Weight (gross, kg)</b>	79,000
<b>Drawer load capacity</b>	30 kg 30 kg 45 kg	<b>Weight PAP (kg)</b>	7,500
<b>Load capacity</b>	750 kg	<b>Weight PVC (kg)</b>	0,000
		<b>GTIN</b>	4018754334667
		<b>Country of origin AWR</b>	CHINA
		<b>Region of origin</b>	Ausländischer Ursprung
		<b>WEEE/ElektroG</b>	nicht ear-pflichtig
		<b>Customs tariff no.</b>	94032080
		<b>Packing standard</b>	1
		<b>Weight</b>	71500 g

## Variants.

Product no.	Model no. (ERP)	Description	GTIN
81200163	95/7 A PRO	Tool trolley 95/7 PRO 7 Drawers 496 x 827 x 1020 mm anthracite, RAL 7016; black, RAL 9008	4018754334667
81200164	95/7 B PRO	Tool trolley 95/7 PRO 7 Drawers 496 x 827 x 1020 mm blue, RAL 270 30 35	4018754334674
81200165	95/7 R PRO	Tool trolley 95/7 PRO 7 Drawers 496 x 827 x 1020 mm red, RAL 3020; black RAL 9005	4018754334681

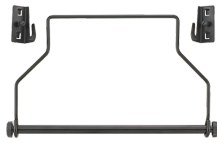
## GTIN-Code.



## Accessories.



90432727  
Spray-can holder



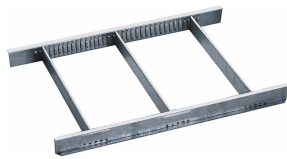
81483004  
Paper roll holder



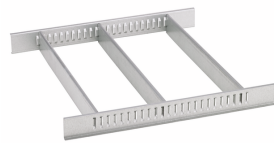
89010040  
Cable holder



83812070  
Empty tray for small  
components



81484001  
Drawer separator



81484002  
Drawer divider



89011053  
Waste bin

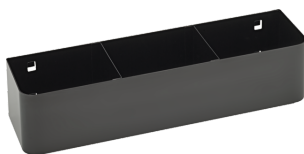


89010042  
Laptop holder adaptor



90432802  
Protective cover

## Spare parts/spare part for.



90432719  
Spray-can holder



81490001  
Set of wheels

## Images.



**STAHLWILLE Eduard Wille GmbH & Co. KG**

Lindenallee 27 · 42349 Wuppertal · Germany · Phone: +49 202 4791-0 · Fax: +49 202 4791-200  
info@stahlwille.de · www.stahlwille.com · Copyright by STAHLWILLE Eduard Wille GmbH & Co. KG, Wuppertal  
Copyright by STAHLWILLE Eduard Wille GmbH & Co. KG, Wuppertal