



## Puller

11501

Product no. **71050101**  
GTIN **4018754342266**  
Model **11501/1 Abziehvorrichtung zu  
Trennvorr.**

Label.

Puller

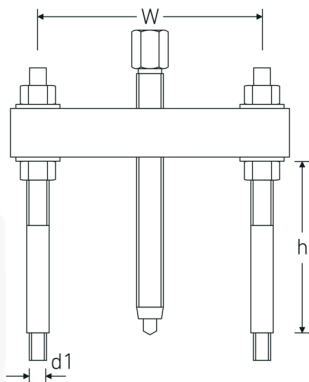
## Product highlights.



### For increased safety.

Thoughtfully designed, die-forged and precisely machined, hardened and tempered on state-of-the-art machines - the STAHLWILLE puller range offers numerous products for a wide range of applications. For example, terminal pullers, pullers for ball joints, counter stays or ball joint extractors - always in premium quality.

## Technical Drawing.



## Technical Attributes.

External hex drive (mm)	17 mm
Connection thread	M10
for model	11500/1
Size	1
Clamping range	40-120 mm
Clamping depth mm	125 mm
Spindle thread size	M14 x 120

## Logistics data.

Depth mm (IFS)	195
Width mm (IFS)	160
Height mm (IFS)	60
Length (packed, mm)	195
Width (packed, mm)	160
Height (packed, mm)	60
Volume (packed, dm <sup>3</sup> )	1.872 dm <sup>3</sup>
Product no.	71050101
Weight (gross, kg)	1,118
Weight PAP (kg)	0,004
Weight PVC (kg)	0,000
GTIN	4018754342266
Country of origin AWR	GERMANY
Region of origin	Nordrhein-Westfalen
WEEE/ElektroG	nicht ear-pflichtig
Customs tariff no.	82055980
Packing standard	1
Weight	1000 g

## Variants.

Product no.	Model no. (ERP)	Description	GTIN
71050101	11501/1 Abziehvorrichtung zu Trennvorr.	Puller	4018754342266
71050102	11501/2 Abziehvorrichtung zu Trennvorr.	Puller	4018754342273
71050103	11501/3 Abziehvorrichtung zu Trennvorr.	Puller	4018754342280
71050104	11501/4 Abziehvorrichtung zu Trennvorr.	Puller	4018754342297

## GTIN-Code.



## Accessories.



71050016  
Disconnector



71050201  
Extension

## Images.

