



Angle of rotation tester

SmartCheck Angle

Product no.	96521400
GTIN	4018754323005
Model	SMARTCHECK ANGLE

Label.

Angle of rotation testing device

Features.

- for checking the angle of rotation from angle controlled torque wrenches for compliance with the guaranteed tolerances
- angle of rotation measurements up to 720° with setpoint specifications
- immediate evaluation of the measurement results directly on the device using the traffic light principle
- with interchangeable square drive adapters for the square drive (1/4"- 3/8"-1/2")
- interchangeable supports allow angle of rotation measurements up to 400 N·m
- large LCD display for optimum readability
- the display, the display holder, and the base can be rotated 180°
- compact design
- the display and foil keyboard are spray-proof, the case is made of impact-resistant plastic
- simple installation thanks to pre-drilled holes in the mounting bracket
- the rotating arm can be easily locked in the zero position for transport
- for controlled right and left-hand torque testing
- 2 operating modes: running display of the applied torque (Track), peak value display (Peak-Hold)
- customised input of target torques and tolerances for evaluating the measured value possible
- micro USB interface for data export and for optional power supply
- data storage for up to 2500 data records, including date and time stamp
- CheckMaster documentation software for transferring values and creating test certificates is available free of charge at www.stahlwille.de
- operation possible via supplied power supply or with batteries
- with factory calibration certificate
- in a sturdy plastic case
- delivered with USB power supply, reducing adapters to 1/4" or 3/8"

Advantages.

Electronic tester for checking angle of rotation with immediate evaluation of the measurement results.

For angle of rotation measurements up to 720°. Includes an extendable rotating arm for testing in large measurement ranges.

The large LCD display can be rotated 180° and is easy to read from any position.

Simple, quick and reliable testing of angle controlled torque wrenches to ensure quality in production.

A simple adjustment of the supports enables quick adaptation to different handle lengths and shapes.



Product highlights.



PRODUCT IMAGE
IN PROGRESS

Error-resistant angle of rotation test.

Our SmartCheck Angle is the first testing device of its kind to verify, check and document the angle of rotation. It measures angles of rotation of up to 720° and features a target value specification as well as an evaluation of the results using the practical traffic light principle. The digital measurement not only enables the continuous display of the angle of rotation, but also the recording of the peak value. With its outstanding precision, it can easily fulfil the most demanding industrial requirements.



PRODUCT IMAGE
IN PROGRESS

Optimum viewing angle.

The compact testing device can be adjusted to the optimum individual viewing angle. The display can be viewed from practically anywhere, as not only the large LCD display, but also the display holder and the base body can be rotated by 180°.



PRODUCT IMAGE
IN PROGRESS

Communication and power supply via USB.

The SmartCheck is equipped with a practical micro USB interface that allows the stored test values to be read out and simplifies their transfer to external systems. The USB port can also be used as an optional power supply for the device.



PRODUCT IMAGE
IN PROGRESS

Comprehensive documentation.

The SmartCheck testing device can be easily configured with the CheckMaster software allowing direct evaluation of the measurement results. In this way, all data can be read out and saved on the PC for better monitoring and optimization of work processes.



PRODUCT IMAGE
IN PROGRESS

Extended measuring range.

Our SmartCheck Angle is supplied with a short and long rotating arm (angle arm). This makes it easy to adapt to the handle length and geometry of different wrenches so that angle controlled torque wrenches with a larger measuring range can also be easily tested.

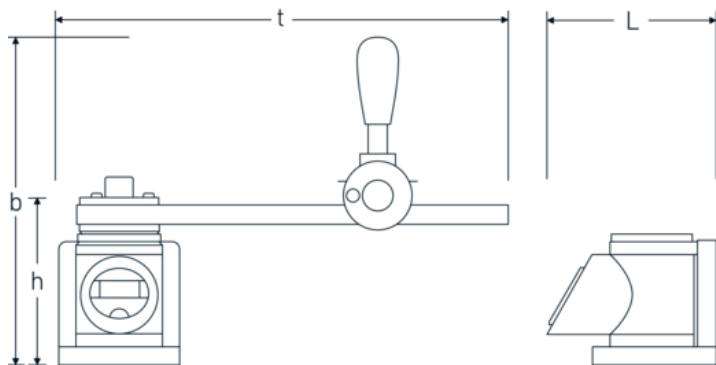
Technologies and features.



Factory calibration certificate (ISO calibration)

Our torque tools, transducers and test equipment are delivered with a factory calibration certificate in accordance with DIN EN ISO 6789-2 and based on DKD-R 10-8 for traceability of the measuring equipment.

Technical Drawing.



Technical Attributes.

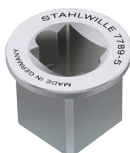
Measuring range N·m	-400 N·m
Width mm (b)	452 mm
Height mm (h)	326 mm
Length mm (L)	263 mm
t	171 mm

Logistics data.

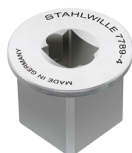
Depth mm (IFS)	730
Width mm (IFS)	375
Height mm (IFS)	213
Length (packed, mm)	730
Width (packed, mm)	375
Height (packed, mm)	213
Volume (packed, dm ³)	58.30875 dm ³
Product no.	96521400
Weight (gross, kg)	11,500
Weight PAP (kg)	1,000
Weight PVC (kg)	0,000
GTIN	4018754323005
Country of origin AWR	GERMANY

Region of origin	Nordrhein-Westfalen
WEEE/ElektroG	Kleingeräte B2C
Customs tariff no.	90318080
Packing standard	1
Weight	7800 g

Parts list.



58524091
Square drive adapter



58524090
Square drive adapter



81500004
Plastic box, empty



52110063
USB mains adapter



91100522
Packaging material



51110057
USB cable

Variants.

Product no.	Model no. (ERP)	Description	GTIN
96521400	SMARTCHECK ANGLE	Angle of rotation testing device	4018754323005

GTIN-Code.

