



Service trolley

612 ST

Product no. **81300612**
GTIN **4018754333981**
Model **612 ST**

Label. Service trolley Load capacity 150kg

- Features.**
- 1 drawer
 - 2 shelves
 - Castor set with 2 locking brakes and rubber tyres

Advantages.

PRACTICAL: The 612 ST trolley from STAHLWILLE keeps your workshop or garage tidy and is versatile for all kinds of work

MOBILE: Due to the elastic castors, the tool trolley can be used everywhere, at the same time 2 locking brakes prevent unintentional rolling away at the workplace

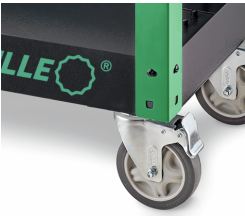
EFFICIENT: Thanks to the spacious storage areas in the form of 2 shelves, a drawer and the storage surface, all tools are quickly at hand and also quickly stowed away again safely

SPACE-SAVING: The Service Trolley is supplied as a space-saving kit with assembly instructions. No bulky goods – maximum flexibility – minimum assembly effort

Product highlights.



Handy.
Perfectly equipped with one drawer and two practical shelves.



Pioneering.

Rubberized comfort wheels (Ø 125 mm) with two parking brakes ensure ease of movement.



Resilient.

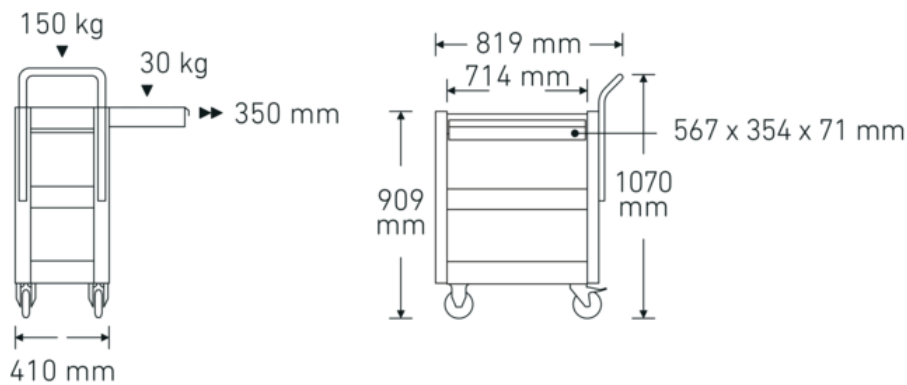
High static load capacity of up to 150 kg. The drawer has a load capacity of up to 30 kg!



Moveable.

Extremely maneuverable, compact and always right where you need it.

Technical Drawing.



Technical Attributes.

Number of drawers	1
Width mm (b)	819 mm
Colour	green RAL 6024; anthracite RAL 7016
Colour abbreviation	RAL 6024; RAL 7016
Height mm (h)	909 mm
Length mm (L)	410 mm
Load capacity	150 kg

Logistics data.

Depth mm (IFS)	775
Width mm (IFS)	480
Height mm (IFS)	245
Length (packed, mm)	775
Width (packed, mm)	480
Height (packed, mm)	245
Volume (packed, dm ³)	91.14 dm ³
Product no.	81300612
Weight (gross, kg)	25,500
Weight PAP (kg)	1,500
Weight PVC (kg)	0,000

GTIN	4018754333981
Country of origin AWR	CHINA
Region of origin	Ausländischer Ursprung
WEEE/ElektroG	nicht ear-pflichtig
Customs tariff no.	94032080
Packing standard	1
Weight	25500 g

Variants.

Product no.	Model no. (ERP)	Description	GTIN
81300612	612 ST	Service trolley Load capacity 150kg	4018754333981

GTIN-Code.



Accessories.



83812070
Empty tray for small
components



81484001
Drawer separator



81484002
Drawer divider

STAHLWILLE Eduard Wille GmbH & Co. KG

Lindenallee 27 · 42349 Wuppertal · Germany · Phone: +49 202 4791-0 · Fax: +49 202 4791-200
info@stahlwille.de · www.stahlwille.com · Copyright by STAHLWILLE Eduard Wille GmbH & Co. KG, Wuppertal
 Copyright by STAHLWILLE Eduard Wille GmbH & Co. KG, Wuppertal